

# 1

## Threaded Insert Series 连接件系列

“Pipe to Pipe, Pipe to Plate”  
connection solution products  
“管与管、管与面”连接方案产品

Tube Connector  
管内连接件

P 05

1

“Pipe to Leveler” connection  
solution products  
“管与脚”连接方案产品

Round Threaded Metal Insert  
圆管连接件

P 10

2

Square Threaded Metal Insert  
方管连接件

P 13

3

Rectangular Threaded Metal  
Insert  
矩形管连接件

P 15

4

“Pipe to Caster” connection  
solution products  
“管与脚轮”连接方案产品

Round Caster Socket  
(For Pintle Glide)

圆管立轴连接件

P 16

5

Square Caster Socket  
(For Pintle Glide)

方管立轴连接件

P 18

6

Plastic Threaded Insert  
塑料连接件

P 19

7

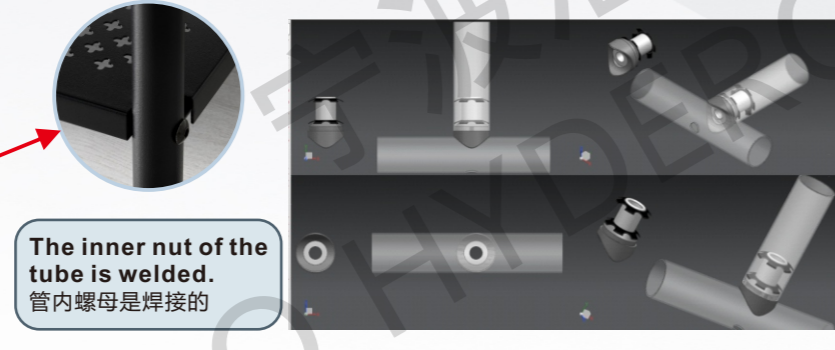
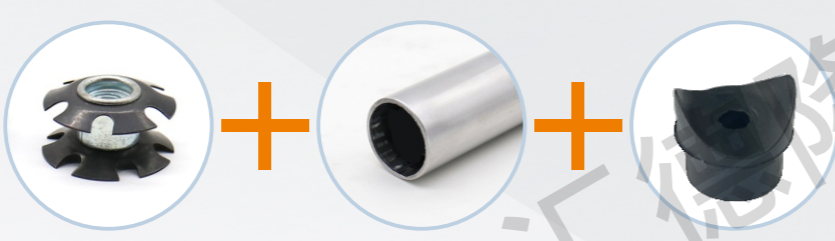
Wooden Furniture Connector  
木质家具腿连接件

P 20

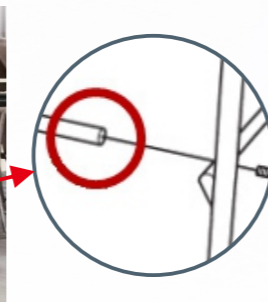
8



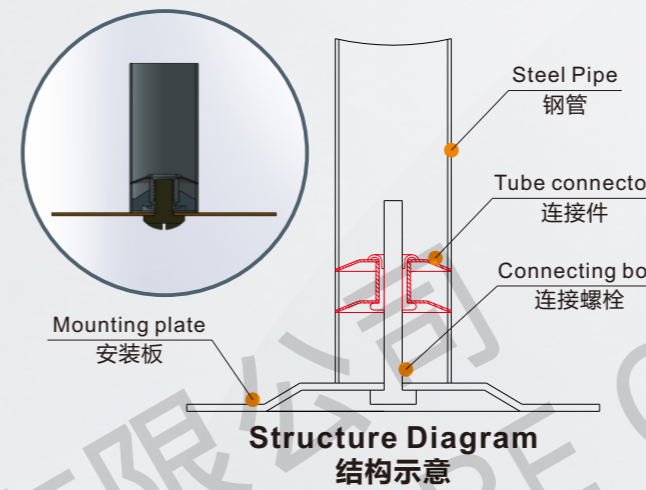
“Pipe to Pipe” Connection solution products  
“管—管”连接件方案



The inner nut of the tube is welded.  
管内螺母是焊接的



“Pipe to Plate” Connection solution products  
“管—面”连接件方案



Metal gasket optional  
carbon steel, stainless steel  
金属垫片可选  
碳钢、不锈钢

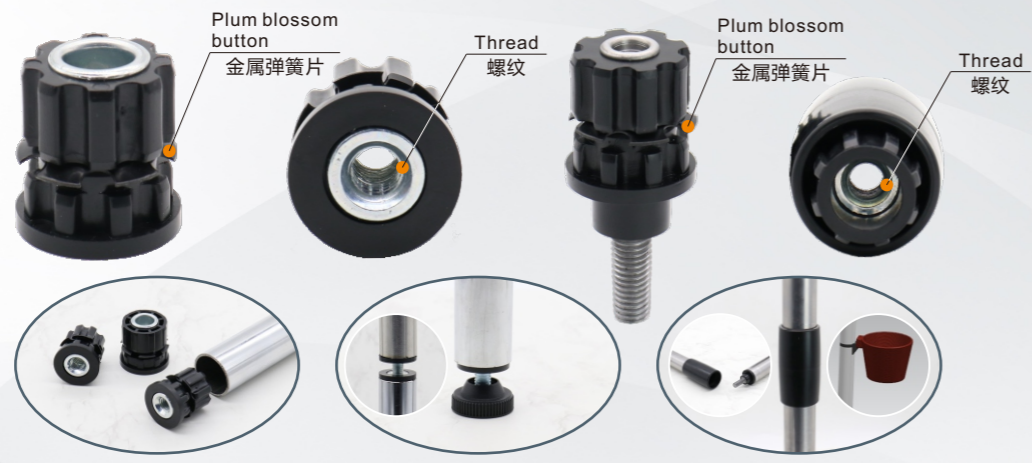
High temperature  
sealing rubber, can  
withstand 200° high  
temperature  
耐高温密封橡胶，  
可承受200°高温

High strength bolt  
高强度螺栓

Patent Product  
专利产品

BIFMA  
INTERNATIONAL

Passed the "BIFMA" test  
通过"BIFMA"测试



1. The plastic surface has a large contact area with the inner wall of the steel pipe, which can provide stable and durable lateral force.  
2. Improves concentricity and can be used for connection between two straight pipes.

1. 塑料面与钢管内壁接触面积大，能提供稳定且持久的侧向力。  
2. 提高同心度，可用于两根直管之间的连接。

Please turn to P 16-18  
for Caster Socket.  
立轴连接件 P 16-18

# 1 Tube Connector 管内连接件

Part No.	Tube O.D. (ins)	Tube (ins)	Tube O.D. (mm)	Tube (mm)	Stem thread	Color	Material
130450	7/8"	16-18GA	22mm	1.2-1.5mm	1/4"-20(M6)	Black	Nylon
130451	1"	16-18GA	25mm	1.2-1.5mm		Black	Nylon
130452	1-1/8"	16-18GA	-	1.2-1.5mm	5/16"-18(M8)	Black	Nylon
130453	1-1/4"	16-18GA	32mm	1.2-1.5mm		Black	Nylon
130454	1-1/2"	16-18GA	38mm	1.2-1.5mm	3/8"-16(M10)	Black	Nylon
130455	1-3/4"	16-18GA	45mm	1.2-1.5mm	Black	Nylon	
130456	2"	16-18GA	50mm	1.2-1.5mm	Black	Nylon	

Part No.	Tube O.D. (ins)	Tube (ins)	Tube O.D. (mm)	Tube (mm)	Stem thread	Color	Material
130460	7/8"	16-18GA	22mm	1.2-1.5mm	5/16"-18(M8)	Black	Nylon
130461	1"	16-18GA	25mm	1.2-1.5mm		Black	Nylon
130462	1-1/8"	16-18GA	-	1.2-1.5mm	3/8"-16(M10)	Black	Nylon
130463	1-1/4"	16-18GA	32mm	1.2-1.5mm		Black	Nylon
130464	1-1/2"	16-18GA	38mm	1.2-1.5mm	Black	Nylon	

Part No.	Tube O.D. (ins)	Tube (ins)	Tube O.D. (mm)	Tube (mm)	Stem thread	Stem Length	Material
130410	1"	16/18GA	25mm	1.2-1.5mm	1/4"-20(M6)	1"	Steel
130411	1-1/8"	16/18GA	28mm	1.2-1.5mm	1/4"-20(M6)	1"	Steel
130412	1-1/4"	16/18GA	32mm	1.2-1.5mm	1/4"-20(M6) 5/16"-18(M8)	1"	Steel
130413	1-1/2"	16/18GA	38mm	1.2-1.5mm	1/4"-20(M6) 5/16"-18(M8) 3/8"-16(M10)	1"	Steel



Part No.	Tube O.D. (ins)	Tube (ins)	Tube O.D. (mm)	Tube (mm)	Stem thread	Color	Material
130442	-	-	13mm	0.8-1.0mm	1/4"-20(M6)	Zinc plated	Steel
130039	5/8"	18-20GA 16-18GA	16mm	0.8-1.0mm 0.9-1.2mm 1.2-1.5mm		Zinc plated	Steel
130030	3/4"	19-21GA 18-20GA 16-18GA	19mm	0.8-1.0mm 0.9-1.2mm 1.2-1.5mm	5/16"-18(M8)	Zinc plated	Steel
130443	-	-	20mm	1.0-1.2mm		Zinc plated	Steel
130031	7/8"	18-20GA 16-18GA 14-15GA	22mm	0.9-1.2mm 1.2-1.5mm 1.8-2mm	3/8"-16(M10)	Zinc plated	Steel
130032	1"	16-18GA 14-15GA	25mm	1.2-1.5mm 1.8-2mm		Zinc plated	Steel
130440	-	-	28mm	0.9-1.2mm	1/2"-13(M12)	Zinc plated	Steel
130441	-	-	30mm	1.2-1.5mm		Zinc plated	Steel
130033	1-1/8"	16-18GA	-	1.2-1.5mm	Zinc plated	Steel	
130034	1-1/4"	16-18GA 14-15GA 11-12GA	32mm	1.2-1.5mm 1.8-2mm 2.5-3mm		Zinc plated	Steel
130035	1-1/2"	16-18GA 14-15GA 11-13GA	38mm	1.2-1.5mm 1.8-2mm 2.2-2.6mm	Zinc plated	Steel	
130036	1-3/4"	16-18GA 11-12GA	45mm	1.2-1.5mm 2.5-3mm		Zinc plated	Steel
130037	2"	16-18GA 11-14GA	50mm	1.2-1.5mm 2-3mm	Zinc plated	Steel	
130038	2.5"	16-18GA	-	1.2-1.5mm	Zinc plated	Steel	



■ Steel pipes with 3/4" are only fitted with 1/4"-20 (M6) threads.  
配3/4"的钢管只配1/4"-20(M6)的螺纹

■ Only 1-1/2", 1-3/4", 2" and 2.5" steel pipes can be fitted with 1/2"-13(M12) threads.  
仅1-1/2"、1-3/4"、2"、2.5"的钢管适配1/2"-13(M12)的螺纹



Three layers are optional.  
可选配三层



Part No.	Tube O.D. (ins)	Tube (ins)	Tube O.D. (mm)	Tube (mm)	Stem thread	Color	Material
130405	5/8"x5/8"	16-18GA	15x15mm	0.8-1.0mm	1/4"-20(M6)	Zinc plated	Steel
130406	3/4"x3/4"	16-18GA	20x20mm	0.8-1.2mm		Zinc plated	Steel
130400	7/8"x7/8"	16-18GA	22x22mm	1.2-1.5mm	5/16"-18(M8)	Zinc plated	Steel
130401	1"x1"	16-18GA	25x25mm	0.8-1.2mm 1.2-1.5mm		Zinc plated	Steel
130402	1-1/8"x1-1/8"	16-18GA	-	1.2-1.5mm	3/8"-16(M10)	Zinc plated	Steel
130407	1-3/16"x1-3/16"	16-18GA	30x30mm	0.8-1.2mm 1.2-1.5mm		Zinc plated	Steel
130403	1-1/4"x1-1/4"	16-18GA	32x32mm	1.2-1.5mm	Zinc plated	Steel	
130404	1-1/2"x1-1/2"	16-18GA	38x38mm	1.2-1.5mm		Zinc plated	Steel



Part No.	Tube O.D. (ins)	Tube (ins)	Tube O.D. (mm)	Tube (mm)	Stem thread	Color	Material
130660	-	-	20x15mm	0.8-1.0mm	1/4"-20(M6) 5/16"-18(M8)	Zinc plated	Steel



Threaded Insert Series

Threaded Insert Series

Part No.	Tube O.D. (ins)	Tube (ins)	Tube O.D. (mm)	Tube (mm)	Stem thread	Color	Material
130680	-	-	20x30mm	0.8-1.2mm	1/4"-20(M6)	Zinc plated	Steel
130681	-	-	20x40mm	0.8-1.2mm	5/16"-18(M8)	Zinc plated	Steel



Part No.	Tube O.D. (ins)	Tube (ins)	Tube O.D. (mm)	Tube (mm)	Stem thread	Color	Material
130510	-	-	20x40mm	0.8-1.2mm	1/4"-20(M6) 5/16"-18(M8)	Zinc plated	Steel



Part No.	Tube O.D. (ins)	Tube (ins)	Tube O.D. (mm)	Tube (mm)	Stem thread	Color	Material
130630	7/8"	16-18GA	22mm	1.2-1.5mm	1/4"-20(M6)	Zinc plated	Steel
130631	1"	16-18GA	25mm	1.2-1.5mm		Zinc plated	Steel
130632	1-1/8"	16-18GA	-	1.2-1.5mm	5/16"-18(M8)	Zinc plated	Steel
130633	1-1/4"	16-18GA	32mm	1.2-1.5mm	3/8"-16(M10)	Zinc plated	Steel
130634	1-1/2"	16-18GA	38mm	1.2-1.5mm		Zinc plated	Steel



Part No.	Tube O.D. (ins)	Tube (ins)	Tube O.D. (mm)	Tube (mm)	Stem thread	Color	Material
130640	7/8"	16-18GA	22mm	1.2-1.5mm	1/4"-20(M6)	Zinc plated	Nylon+Steel
130641	1"	16-18GA	25mm	1.2-1.5mm		Zinc plated	Nylon+Steel
130642	1-1/8"	16-18GA	-	1.2-1.5mm	5/16"-18(M8)	Zinc plated	Nylon+Steel
130643	1-1/4"	16-18GA	32mm	1.2-1.5mm	3/8"-16(M10)	Zinc plated	Nylon+Steel
130644	1-1/2"	16-18GA	38mm	1.2-1.5mm		Zinc plated	Nylon+Steel



Part No.	Tube O.D. (ins)	Tube (ins)	Tube O.D. (mm)	Tube (mm)	Stem thread	Color	Material
130650	7/8"	16-18GA	22mm	1.2-1.5mm	1/4"-20(M6)	Zinc plated	Nylon+Steel
130651	1"	16-18GA	25mm	1.2-1.5mm		Zinc plated	Nylon+Steel
130652	1-1/8"	16-18GA	-	1.2-1.5mm	5/16"-18(M8)	Zinc plated	Nylon+Steel
130653	1-1/4"	16-18GA	32mm	1.2-1.5mm	3/8"-16(M10)	Zinc plated	Nylon+Steel
130654	1-1/2"	16-18GA	38mm	1.2-1.5mm		Zinc plated	Nylon+Steel



Part No.	Tube O.D. (ins)	Tube (ins)	Tube O.D. (mm)	Tube (mm)	Stem thread	Color	Material
130620	7/8"	16-18GA	22mm	1.2-1.5mm	1/4"-20(M6)	Zinc plated	Steel
130621	1"	16-18GA	25mm	1.2-1.5mm		Zinc plated	Steel
130622	1-1/8"	16-18GA	-	1.2-1.5mm	5/16"-18(M8)	Zinc plated	Steel
130623	1-1/4"	16-18GA	32mm	1.2-1.5mm	3/8"-16(M10)	Zinc plated	Steel
130624	1-1/2"	16-18GA	38mm	1.2-1.5mm		Zinc plated	Steel



Part No.	Tube O.D. (ins)	Tube (ins)	Tube O.D. (mm)	Tube (mm)	Stem thread	Stem Length	Material
130130	7/8"	16-18GA	22mm	1.2-1.5mm	1/4"-20(M6)	1"	Steel
130131	1"	16-18GA	25mm	1.2-1.5mm	1/4"-20(M6)	1"	Steel
130132	1"	16-18GA	25mm	1.2-1.5mm	5/16"-18(M8)	1"	Steel
130133	1-1/8"	16-18GA	-	1.2-1.5mm	1/4"-20(M6)	1"	Steel
130134	1-1/8"	16-18GA	-	1.2-1.5mm	5/16"-18(M8)	1"	Steel
130135	1-1/4"	16-18GA	32mm	1.2-1.5mm	1/4"-20(M6)	1"	Steel
130136	1-1/4"	16-18GA	32mm	1.2-1.5mm	5/16"-18(M8)	1"	Steel
130137	1-1/2"	16-18GA	38mm	1.2-1.5mm	1/4"-20(M6)	1"	Steel
130138	1-1/2"	16-18GA	38mm	1.2-1.5mm	5/16"-18(M8)	1"	Steel
130139	1-1/2"	16-18GA	38mm	1.2-1.5mm	3/8"-16(M10)	1"	Steel



Part No.	Tube O.D. (ins)	Tube (ins)	Tube O.D. (mm)	Tube (mm)	Stem thread	Stem Length	Material
130530	7/8"	16-18GA	22mm	1.2-1.5mm	1/4"-20(M6)	1"	Steel
130531	1"	16-18GA	25mm	1.2-1.5mm	1/4"-20(M6)	1"	Steel
130532	1"	16-18GA	25mm	1.2-1.5mm	5/16"-18(M8)	1"	Steel
130533	1-1/8"	16-18GA	-	1.2-1.5mm	1/4"-20(M6)	1"	Steel
130534	1-1/8"	16-18GA	-	1.2-1.5mm	5/16"-18(M8)	1"	Steel
130535	1-1/4"	16-18GA	32mm	1.2-1.5mm	1/4"-20(M6)	1"	Steel
130536	1-1/4"	16-18GA	32mm	1.2-1.5mm	5/16"-18(M8)	1"	Steel
130537	1-1/2"	16-18GA	38mm	1.2-1.5mm	1/4"-20(M6)	1"	Steel
130538	1-1/2"	16-18GA	38mm	1.2-1.5mm	5/16"-18(M8)	1"	Steel
130539	1-1/2"	16-18GA	38mm	1.2-1.5mm	3/8"-16(M10)	1"	Steel



Part No.	Tube O.D. (ins)	Tube (ins)	Tube O.D. (mm)	Tube (mm)	Stem thread	Stem Length	Material
130540	7/8"	16-18GA	22mm	1.2-1.5mm	1/4"-20(M6)	1"	Steel
130541	1"	16-18GA	25mm	1.2-1.5mm	1/4"-20(M6)	1"	Steel
130542	1"	16-18GA	25mm	1.2-1.5mm	5/16"-18(M8)	1"	Steel
130543	1-1/8"	16-18GA	-	1.2-1.5mm	1/4"-20(M6)	1"	Steel
130544	1-1/8"	16-18GA	-	1.2-1.5mm	5/16"-18(M8)	1"	Steel
130545	1-1/4"	16-18GA	32mm	1.2-1.5mm	1/4"-20(M6)	1"	Steel
130546	1-1/4"	16-18GA	32mm	1.2-1.5mm	5/16"-18(M8)	1"	Steel
130547	1-1/2"	16-18GA	38mm	1.2-1.5mm	1/4"-20(M6)	1"	Steel
130548	1-1/2"	16-18GA	38mm	1.2-1.5mm	5/16"-18(M8)	1"	Steel
130549	1-1/2"	16-18GA	38mm	1.2-1.5mm	3/8"-16(M10)	1"	Steel



"Pipe to Leveler" connection solution products

"管与脚" 连接方案产品

Part No.	Tube O.D. (ins)	Tube (ins)	Tube O.D. (mm)	Tube (mm)	Stem thread	Stem Length	Material
130560	7/8"	16-18GA	22mm	1.2-1.5mm	1/4"-20(M6)	1"	Steel
130561	1"	16-18GA	25mm	1.2-1.5mm	1/4"-20(M6)	1"	Steel
130562	1"	16-18GA	25mm	1.2-1.5mm	5/16"-18(M8)	1"	Steel
130563	1-1/8"	16-18GA	-	1.2-1.5mm	1/4"-20(M6)	1"	Steel
130564	1-1/8"	16-18GA	-	1.2-1.5mm	5/16"-18(M8)	1"	Steel
130565	1-1/4"	16-18GA	32mm	1.2-1.5mm	1/4"-20(M6)	1"	Steel
130566	1-1/4"	16-18GA	32mm	1.2-1.5mm	5/16"-18(M8)	1"	Steel
130567	1-1/2"	16-18GA	38mm	1.2-1.5mm	1/4"-20(M6)	1"	Steel
130568	1-1/2"	16-18GA	38mm	1.2-1.5mm	5/16"-18(M8)	1"	Steel
130569	1-1/2"	16-18GA	38mm	1.2-1.5mm	3/8"-16(M10)	1"	Steel



Part No.	Tube O.D. (ins)	Tube (ins)	Tube O.D. (mm)	Tube (mm)	Stem thread	Stem Length	Material
130580	7/8"	16-18GA	22mm	1.2-1.5mm	1/4"-20(M6)	1"	Steel
130581	1"	16-18GA	25mm	1.2-1.5mm	1/4"-20(M6)	1"	Steel
130582	1"	16-18GA	25mm	1.2-1.5mm	5/16"-18(M8)	1"	Steel
130583	1-1/8"	16-18GA	-	1.2-1.5mm	1/4"-20(M6)	1"	Steel
130584	1-1/8"	16-18GA	-	1.2-1.5mm	5/16"-18(M8)	1"	Steel
130585	1-1/4"	16-18GA	32mm	1.2-1.5mm	1/4"-20(M6)	1"	Steel
130586	1-1/4"	16-18GA	32mm	1.2-1.5mm	5/16"-18(M8)	1"	Steel
130587	1-1/2"	16-18GA	38mm	1.2-1.5mm	1/4"-20(M6)	1"	Steel
130588	1-1/2"	16-18GA	38mm	1.2-1.5mm	5/16"-18(M8)	1"	Steel
130589	1-1/2"	16-18GA	38mm	1.2-1.5mm	3/8"-16(M10)	1"	Steel



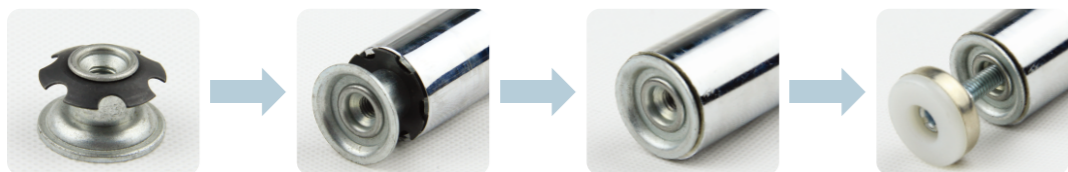
In place of weld nuts, floor-standing solutions for all types of steel furniture legs are available.  
代替焊接螺母，提供各类钢制家具腿的落地解决方案

Part No.	Tube O.D. (ins)	Tube (ins)	Tube O.D. (mm)	Tube (mm)	Stem thread	Stem Length	Material
130600	7/8"	16-18GA	22mm	1.2-1.5mm	1/4"-20(M6)	1"	Steel
130601	1"	16-18GA	25mm	1.2-1.5mm	1/4"-20(M6)	1"	Steel
130602	1"	16-18GA	25mm	1.2-1.5mm	5/16"-18(M8)	1"	Steel
130603	1-1/8"	16-18GA	-	1.2-1.5mm	1/4"-20(M6)	1"	Steel
130604	1-1/8"	16-18GA	-	1.2-1.5mm	5/16"-18(M8)	1"	Steel
130605	1-1/4"	16-18GA	32mm	1.2-1.5mm	1/4"-20(M6)	1"	Steel
130606	1-1/4"	16-18GA	32mm	1.2-1.5mm	5/16"-18(M8)	1"	Steel
130607	1-1/2"	16-18GA	38mm	1.2-1.5mm	1/4"-20(M6)	1"	Steel
130608	1-1/2"	16-18GA	38mm	1.2-1.5mm	5/16"-18(M8)	1"	Steel
130609	1-1/2"	16-18GA	38mm	1.2-1.5mm	3/8"-16(M10)	1"	Steel



Threaded Insert Series

## 2 Round Threaded Metal Insert 圆管连接件



Part No.	Tube O.D. (ins)	Tube (ins)	Tube O.D. (mm)	Tube (mm)	Stem thread	Color	Material
130010	5/8"	18-20GA 16-18GA	16mm	0.9-1.2mm 1.2-1.5mm	1/4"-20(M6)	Zinc plated	Steel
130011	3/4"	18-20GA 16-18GA	19mm	0.9-1.2mm 1.2-1.5mm		Zinc plated	Steel
130702	-	-	20mm	0.9-1.2mm 1.2-1.5mm		Zinc plated	Steel
130012	7/8"	18-20GA 16-18GA 14-15GA	22mm	0.9-1.2mm 1.2-1.5mm 1.8-2mm	5/16"-18(M8)	Zinc plated	Steel
130013	1"	16-18GA 14-15GA	25mm	1.2-1.5mm 1.8-2mm		Zinc plated	Steel
130700	-	-	28mm	0.9-1.2mm	3/8"-16(M10)	Zinc plated	Steel
130701	-	-	30mm	1.2-1.5mm		Zinc plated	Steel
130014	1-1/8"	16-18GA	-	1.2-1.5mm	1/2"-13(M12)	Zinc plated	Steel
130015	1-1/4"	16-18GA 14-15GA 11-12GA	32mm	1.2-1.5mm 1.8-2mm 2.5-3mm		Zinc plated	Steel
130016	1-1/2"	16-18GA 14-15GA 11-13GA	38mm	1.2-1.5mm 1.8-2mm 2.2-2.6mm	Zinc plated	Steel	
130017	1-3/4"	16-18GA 11-12GA	45mm	1.2-1.5mm 2.5-3mm		Steel	
130018	2"	16-18GA 11-14GA	50mm	1.2-1.5mm 2-3mm	Zinc plated	Steel	
130019	2.5"	16-18GA	-	1.2-1.5mm	Zinc plated	Steel	



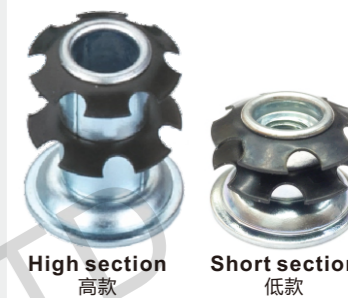
■ Steel pipes with 5/8", 3/4" are only fitted with 1/4"-20 (M6) threads.  
配5/8"、3/4"的钢管只配1/4"-20(M6)的螺纹

■ Only 1-1/2", 1-3/4", 2" and 2.5" steel pipes can be fitted with 1/2"-13(M12) threads.  
仅1-1/2"、1-3/4"、2"、2.5"的钢管适配1/2"-13(M12)的螺纹

Part No.	Tube O.D. (ins)	Tube (ins)	Tube O.D. (mm)	Tube (mm)	Stem thread	Stem Length	Material
130150	7/8"	16-18GA	22mm	1.2-1.5mm	1/4"-20(M6)	1"	Steel
130151	1"	16-18GA	25mm	1.2-1.5mm	1/4"-20(M6)	1"	Steel
130152	1"	16-18GA	25mm	1.2-1.5mm	5/16"-18(M8)	1"	Steel
130153	1-1/8"	16-18GA	-	1.2-1.5mm	1/4"-20(M6)	1"	Steel
130154	1-1/8"	16-18GA	-	1.2-1.5mm	5/16"-18(M8)	1"	Steel
130155	1-1/4"	16-18GA	32mm	1.2-1.5mm	1/4"-20(M6)	1"	Steel
130156	1-1/4"	16-18GA	32mm	1.2-1.5mm	5/16"-18(M8)	1"	Steel
130157	1-1/2"	16-18GA	38mm	1.2-1.5mm	1/4"-20(M6)	1"	Steel
130158	1-1/2"	16-18GA	38mm	1.2-1.5mm	5/16"-18(M8)	1"	Steel
130159	1-1/2"	16-18GA	38mm	1.2-1.5mm	3/8"-16(M10)	1"	Steel



Part No.	Tube O.D. (ins)	Tube (ins)	Tube O.D. (mm)	Tube (mm)	Stem thread	Color	Material
130070	7/8"	18-20GA 16-18GA 14-15GA	22mm	0.9-1.2mm 1.2-1.5mm 1.8-2mm	Zinc plated	Steel	
130071	1"	16-18GA 14-15GA	25mm	1.2-1.5mm 1.8-2mm			
130078	-	-	28mm	0.9-1.2mm	1/4"-20(M6)	Zinc plated	Steel
130079	-	-	30mm	1.2-1.5mm			
130072	1-1/8"	16-18GA	-	1.2-1.5mm	5/16"-18(M8)	Zinc plated	Steel
130073	1-1/4"	16-18GA 14-15GA 11-12GA	32mm	1.2-1.5mm 1.8-2mm 2.5-3mm			
130074	1-1/2"	16-18GA 14-15GA 11-13GA	38mm	1.2-1.5mm 1.8-2mm 2.2-2.6mm	1/2"-13(M12)	Zinc plated	Steel
130075	1-3/4"	16-18GA 11-12GA	45mm	1.2-1.5mm 2.5-3mm			
130076	2"	16-18GA 11-14GA	50mm	1.2-1.5mm 2-3mm	Zinc plated	Steel	
130077	2.5"	16-18GA	-	1.2-1.5mm	Zinc plated	Steel	



■ Only 1-1/2", 1-3/4", 2" and 2.5" steel pipes can be fitted with 1/2"-13(M12) threads.  
仅1-1/2"、1-3/4"、2"、2.5"的钢管适配1/2"-13(M12)的螺纹

Part No.	Tube O.D. (ins)	Tube (ins)	Tube O.D. (mm)	Tube (mm)	Stem thread	Color	Material
130300	1-1/2"	16-18GA 14-15GA 11-13GA	38mm	1.2-1.5mm 1.8-2mm 2.2-2.6mm	3/8"-16(M10)	Zinc plated	Steel
130301	1-3/4"	16-18GA 11-12GA	45mm	1.2-1.5mm 2.5-3mm			
130302	2"	16-18GA 11-14GA	50mm	1.2-1.5mm 2-3mm	1/2"-13(M12)	Zinc plated	Steel
130303	2.5"	16-18GA	-	1.2-1.5mm			



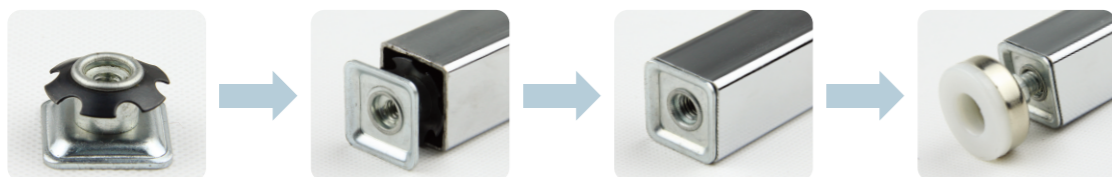
Part No.	Tube O.D. (ins)	Tube (ins)	Tube O.D. (mm)	Tube (mm)	Stem thread	Color	Material
130100	1-1/2"	16-18GA 14-15GA 11-13GA	38mm	1.2-1.5mm 1.8-2mm 2.2-2.6mm	3/8"-16(M10)	Zinc plated	Steel
130101	1-3/4"	16-18GA 11-12GA	45mm	1.2-1.5mm 2.5-3mm			
130102	2"	16-18GA 11-14GA	50mm	1.2-1.5mm 2-3mm	1/2"-13(M12)	Zinc plated	Steel
130103	2.5"	16-18GA	-	1.2-1.5mm			



Part No.	Tube O.D. (ins)	Tube (ins)	Tube O.D. (mm)	Tube (mm)	Stem thread	Material
130140	3/4"	16-18GA	19mm	1.2-1.5mm	1/4"-20(M6)	Steel
130141	7/8"	16-18GA	22mm	1.2-1.5mm	1/4"-20(M6)	Steel
130142	1"	16-18GA	25mm	1.2-1.5mm	1/4"-20(M6)	Steel
130143	1-1/8"	16-18GA	-	1.2-1.5mm	1/4"-20(M6)	Steel



### 3 Square Threaded Metal Insert 方管连接件



Part No.	Tube O.D. (ins)	Tube (ins)	Tube O.D. (mm)	Tube (mm)	Stem thread	Color	Material	
130020	5/8"x5/8"	18-20GA 16-18GA	16x16mm	0.9-1.2mm 1.2-1.5mm	1/4"-20(M6)	Zinc plated	Steel	
130021	3/4"x3/4"	18-20GA 16-18GA	19x19mm	0.9-1.2mm 1.2-1.5mm		Zinc plated	Steel	
130182	-	-	20x20mm	0.9-1.2mm		Zinc plated	Steel	
130022	7/8"x7/8"	16-18GA	22x22mm	1.2-1.5mm		Zinc plated	Steel	
130023	1"x1"	16-18GA 14-15GA 10-11GA	25x25mm	1.2-1.5mm 1.8-2mm 3-3.5mm		Zinc plated	Steel	
130024	1-1/8"x1-1/8"	18-20GA 16-18GA 14-15GA	-	0.9-1.2mm 1.2-1.5mm 1.8-2mm		5/16"-18(M8)	Zinc plated	Steel
130180	-	-	30x30mm	1.2-1.5mm		Zinc plated	Steel	
130025	1-1/4"x1-1/4"	16-18GA 14-15GA 11-12GA	32x32mm	1.2-1.5mm 1.8-2mm 2.5-3mm		3/8"-16(M10)	Zinc plated	Steel
130026	1-1/2"x1-1/2"	16-18GA 14-15GA 11-12GA	38x38mm	1.2-1.5mm 1.8-2mm 2.5-3mm		1/2"-13(M12)	Zinc plated	Steel
130181	-	-	40x40mm	1.2-1.5mm		Zinc plated	Steel	
130027	1-3/4"x1-3/4"	16-18GA 11-12GA	45x45mm	1.2-1.5mm 2.5-3mm	Zinc plated	Steel		
130028	2"x2"	16-18GA 11-12GA	50x50mm	1.2-1.5mm 2.5-3mm	Zinc plated	Steel		
130029	2.5"x2.5"	16-18GA	-	1.2-1.5mm	Zinc plated	Steel		

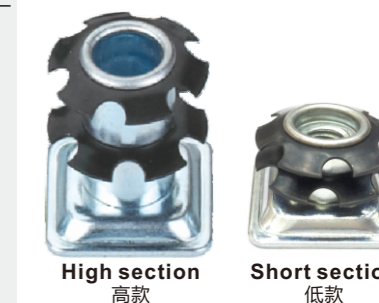


- Steel pipes with 5/8", 3/4" are only fitted with 1/4"-20 (M6) threads.  
配5/8"、3/4"的钢管只配1/4"-20(M6)的螺纹
- Only 1-1/2", 1-3/4", 2", 2.5" and 40mm steel pipes can be fitted with 1/2"-13(M12) threads.  
仅1-1/2"、1-3/4"、2"、2.5"、40mm的钢管适配1/2"-13(M12)的螺纹

Part No.	Tube O.D. (ins)	Tube (ins)	Tube O.D. (mm)	Tube (mm)	Stem thread	Stem Length	Material
130160	7/8"	16-18GA	22mm	1.2-1.5mm	1/4"-20(M6)	1"	Steel
130161	1"	16-18GA	25mm	1.2-1.5mm	1/4"-20(M6)	1"	Steel
130162	1"	16-18GA	25mm	1.2-1.5mm	5/16"-18(M8)	1"	Steel
130163	1-1/8"	16-18GA	-	1.2-1.5mm	1/4"-20(M6)	1"	Steel
130164	1-1/8"	16-18GA	-	1.2-1.5mm	5/16"-18(M8)	1"	Steel
130165	1-1/4"	16-18GA	32mm	1.2-1.5mm	1/4"-20(M6)	1"	Steel
130166	1-1/4"	16-18GA	32mm	1.2-1.5mm	5/16"-18(M8)	1"	Steel
130167	1-1/2"	16-18GA	38mm	1.2-1.5mm	1/4"-20(M6)	1"	Steel
130168	1-1/2"	16-18GA	38mm	1.2-1.5mm	5/16"-18(M8)	1"	Steel
130169	1-1/2"	16-18GA	38mm	1.2-1.5mm	3/8"-16(M10)	1"	Steel



Part No.	Tube O.D. (ins)	Tube (ins)	Tube O.D. (mm)	Tube (mm)	Stem thread	Color	Material	
130040	7/8"x7/8"	16-18GA	22x22mm	1.2-1.5mm	1/4"-20(M6)	Zinc plated	Steel	
130041	1"x1"	16-18GA 14-15GA 10-11GA	25x25mm	1.2-1.5mm 1.8-2mm 3-3.5mm		Zinc plated	Steel	
130042	1-1/8"x1-1/8"	18-20GA 16-18GA 14-15GA	-	0.9-1.2mm 1.2-1.5mm 1.8-2mm		Zinc plated	Steel	
130048	-	-	30x30mm	1.2-1.5mm		Zinc plated	Steel	
130043	1-1/4"x1-1/4"	16-18GA 14-15GA 11-12GA	32x32mm	1.2-1.5mm 1.8-2mm 2.5-3mm		3/8"-16(M10)	Zinc plated	Steel
130044	1-1/2"x1-1/2"	16-18GA 14-15GA 11-12GA	38x38mm	1.2-1.5mm 1.8-2mm 2.5-3mm		1/2"-13(M12)	Zinc plated	Steel
130049	-	-	40x40mm	1.2-1.5mm		Zinc plated	Steel	
130045	1-3/4"x1-3/4"	16-18GA 11-12GA	45x45mm	1.2-1.5mm 2.5-3mm		Zinc plated	Steel	
130046	2"x2"	16-18GA 11-12GA	50x50mm	1.2-1.5mm 2.5-3mm		Zinc plated	Steel	
130047	2.5"x2.5"	16-18GA	-	1.2-1.5mm		Zinc plated	Steel	



- Only 1-1/2", 1-3/4", 2", 2.5" and 40mm steel pipes can be fitted with 1/2"-13(M12) threads.  
仅1-1/2"、1-3/4"、2"、2.5"、40mm的钢管适配1/2"-13(M12)的螺纹

Part No.	Tube O.D. (ins)	Tube (ins)	Tube O.D. (mm)	Tube (mm)	Stem thread	Color	Material
130430	7/8"x7/8"	16-18GA	22x22mm	1.2-1.5mm	1/4"-20(M6)	Zinc plated	Steel
130431	1"x1"	16-18GA	25x25mm	1.2-1.5mm		Zinc plated	Steel
130432	1-1/8"x1-1/8"	16-18GA	-	1.2-1.5mm	5/16"-18(M8)	Zinc plated	Steel
130433	1-1/4"x1-1/4"	16-18GA	32x32mm	1.2-1.5mm		Zinc plated	Steel
130434	1-1/2"x1-1/2"	16-18GA	38x38mm	1.2-1.5mm	3/8"-16(M10)	Zinc plated	Steel
130435	1-3/4"x1-3/4"	16-18GA	45x45mm	1.2-1.5mm		Zinc plated	Steel
130436	2"x2"	16-18GA	50x50mm	1.2-1.5mm		Zinc plated	Steel
130437	2.5"x2.5"	16-18GA	-	1.2-1.5mm		Zinc plated	Steel



Part No.	Tube O.D. (ins)	Tube (ins)	Tube O.D. (mm)	Tube (mm)	Stem thread	Color	Material
130470	7/8"x7/8"	16-18GA	22x22mm	1.2-1.5mm	1/4"-20(M6)	Zinc plated	Steel
130471	1"x1"	16-18GA	25x25mm	1.2-1.5mm		Zinc plated	Steel
130472	1-1/8"x1-1/8"	16-18GA	-	1.2-1.5mm	5/16"-18(M8)	Zinc plated	Steel
130473	1-1/4"x1-1/4"	16-18GA	32x32mm	1.2-1.5mm		Zinc plated	Steel
130474	1-1/2"x1-1/2"	16-18GA	38x38mm	1.2-1.5mm	3/8"-16(M10)	Zinc plated	Steel
130475	1-3/4"x1-3/4"	16-18GA	45x45mm	1.2-1.5mm		Zinc plated	Steel
130476	2"x2"	16-18GA	50x50mm	1.2-1.5mm		Zinc plated	Steel
130477	2.5"x2.5"	16-18GA	-	1.2-1.5mm		Zinc plated	Steel



## "Pipe to Casters" connection solution products "管与脚轮" 连接方案产品

Patent Product  
专利产品

Part No.	Tube O.D. (ins)	Tube (ins)	Tube O.D. (mm)	Tube (mm)	Stem thread	Color	Material
130200	1-1/2"x1-1/2"	16-18GA 14-15GA 11-12GA	38x38mm	1.2-1.5mm 1.8-2mm 2.5-3mm	3/8"-16(M10)	Zinc plated	Steel
130204	-	-	40x40mm	1.2-1.5mm		Zinc plated	Steel
130201	1-3/4"x1-3/4"	16-18GA 11-12GA	45x45mm	1.2-1.5mm 2.5-3mm	1/2"-13(M12)	Zinc plated	Steel
130202	2"x2"	16-18GA 11-12GA	50x50mm	1.2-1.5mm 2.5-3mm	1/2"-13(M12)	Zinc plated	Steel
130203	2.5"x2.5"	16-18GA	-	1.2-1.5mm		Zinc plated	Steel



Part No.	Tube O.D. (ins)	Tube (ins)	Tube O.D. (mm)	Tube (mm)	Stem thread	Color	Material
130060	1-1/2"x1-1/2"	16-18GA 14-15GA 11-12GA	38x38mm	1.2-1.5mm 1.8-2mm 2.5-3mm	3/8"-16(M10)	Zinc plated	Steel
130064	-	-	40x40mm	1.2-1.5mm		Zinc plated	Steel
130061	1-3/4"x1-3/4"	16-18GA 11-12GA	45x45mm	1.2-1.5mm 2.5-3mm	1/2"-13(M12)	Zinc plated	Steel
130062	2"x2"	16-18GA 11-12GA	50x50mm	1.2-1.5mm 2.5-3mm	1/2"-13(M12)	Zinc plated	Steel
130063	2.5"x2.5"	16-18GA	-	1.2-1.5mm		Zinc plated	Steel



Part No.	Tube O.D. (ins)	Tube (ins)	Tube O.D. (mm)	Tube (mm)	Stem thread	Color	Material
130051	3/4"x3/4"	16-18GA	19x19mm	1.2-1.5mm	1/4"-20(M6)	Zinc plated	Steel
130052	7/8"x7/8"	16-18GA	22x22mm	1.2-1.5mm		Zinc plated	Steel
130053	1"x1"	16-18GA	25x25mm	1.2-1.5mm	5/16"-18(M8)	Zinc plated	Steel
130054	1-1/8"x1-1/8"	16-18GA	-	1.2-1.5mm		Zinc plated	Steel
130055	1-1/4"x1-1/4"	16-18GA	32x32mm	1.2-1.5mm	3/8"-16(M10)	Zinc plated	Steel
130056	1-1/2"x1-1/2"	16-18GA	38x38mm	1.2-1.5mm		Zinc plated	Steel
130057	1-3/4"x1-3/4"	16-18GA	45x45mm	1.2-1.5mm	3/8"-16(M10)	Zinc plated	Steel
130058	2"x2"	16-18GA	50x50mm	1.2-1.5mm		Zinc plated	Steel



- Steel pipes with 5/8", 3/4" are only fitted with 1/4"-20 (M6) threads.  
配5/8"、3/4"的钢管只配1/4"-20(M6)的螺纹
- Only 1-1/2", 1-3/4" and 2" steel pipes can be fitted with 1/2"-13 (M12) threads.  
仅1-1/2"、1-3/4"、2"的钢管，适配1/2"-13(M12)的螺纹

## 4 Rectangular Threaded Metal Insert 矩形管连接件

Part No.	Tube O.D.	Stem thread	Tube	Color	Material
130500	1"x2"	1/4"-20(M6)	16/18GA	Zinc plated	Steel
130501	1"x2.5"	5/16"-18(M8)	16/18GA	Zinc plated	Steel



- Strong springs will be stuck with pipe wall tightly and provide strong drawing force.  
高强度弹簧片与钢管内壁紧密卡住，提供优良的拉拔力

Please turn to P 75-76 for Pintle Glide.  
立轴调整脚 P 75-76



Passed the "BIFMA" test  
通过"BIFMA"测试

## 5 Round Caster Socket (For Pintle Glide) 圆管立轴连接件

Part No.	Tube O.D. (ins)	Tube (ins)	Tube O.D. (mm)	Tube (mm)	Friction Ring Stem	Color	Material
130480	7/8"	16-18GA	22mm	1.2-1.5mm	7/16"	Black	Nylon
130481	1"	16-18GA	25mm	1.2-1.5mm	7/16"	Black	Nylon
130482	1-1/8"	16-18GA	-	1.2-1.5mm	7/16"	Black	Nylon
130483	1-1/4"	16-18GA	32mm	1.2-1.5mm	7/16"	Black	Nylon
130484	1-1/2"	16-18GA	38mm	1.2-1.5mm	7/16"	Black	Nylon
130485	1-3/4"	16-18GA	45mm	1.2-1.5mm	7/16"	Black	Nylon
130486	2"	16-18GA	50mm	1.2-1.5mm	7/16"	Black	Nylon





## 6 Square Caster Socket (For Pintle Glide) 方管立轴连接件

Part No.	Tube O.D. (ins)	Tube (ins)	Tube O.D. (mm)	Tube (mm)	Friction Ring Stem	Color	Material
130080	7/8"	18-20GA 16-18GA 14-15GA	22mm	0.9-1.2mm 1.2-1.5mm 1.8-2mm	7/16"	Zinc plated	Steel
130081	1"	16-18GA 14-15GA	25mm	1.2-1.5mm 1.8-2mm	7/16"	Zinc plated	Steel
130087	-	-	28mm	0.9-1.2mm	7/16"	Zinc plated	Steel
130088	-	-	30mm	1.2-1.5mm	7/16"	Zinc plated	Steel
130082	1-1/8"	16-18GA	-	1.2-1.5mm	7/16"	Zinc plated	Steel
130083	1-1/4"	16-18GA 14-15GA 11-12GA	32mm	1.2-1.5mm 1.8-2mm 2.5-3mm	7/16"	Zinc plated	Steel
130084	1-1/2"	16-18GA 14-15GA 11-13GA	38mm	1.2-1.5mm 1.8-2mm 2.2-2.6mm	7/16"	Zinc plated	Steel
130085	1-3/4"	16-18GA 11-12GA	45mm	1.2-1.5mm 2.5-3mm	7/16"	Zinc plated	Steel
130086	2"	16-18GA 11-14GA	50mm	1.2-1.5mm 2-3mm	7/16"	Zinc plated	Steel



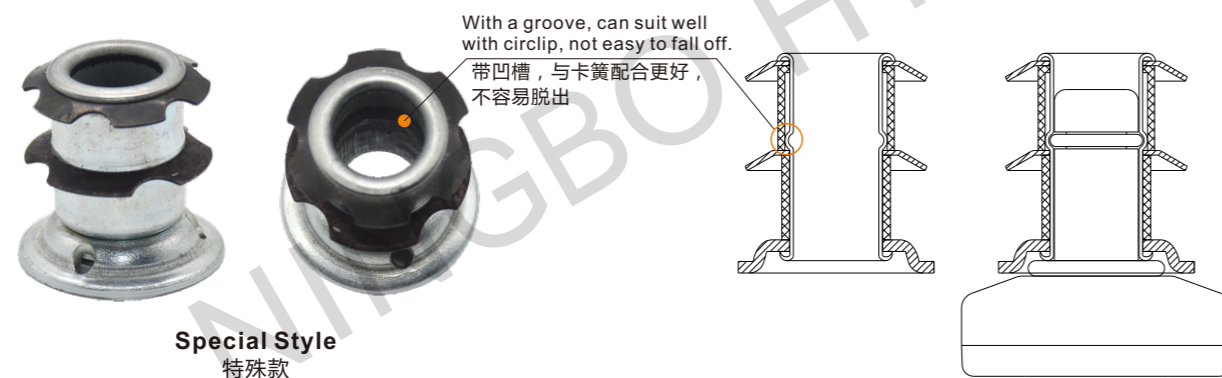
Part No.	Tube O.D. (ins)	Tube (ins)	Tube O.D. (mm)	Tube (mm)	Friction Ring Stem	Color	Material
130110	7/8"x7/8"	16-18GA	22x22mm	1.2-1.5mm	7/16"	Zinc plated	Steel
130111	1"x1"	16-18GA 14-15GA 10-11GA	25x25mm	1.2-1.5mm 1.8-2mm 3-3.5mm	7/16"	Zinc plated	Steel
130112	1-1/8"x1-1/8"	18-20GA 16-18GA 14-15GA	-	0.9-1.2mm 1.2-1.5mm 1.8-2mm	7/16"	Zinc plated	Steel
130117	-	-	30x30mm	1.2-1.5mm	7/16"	Zinc plated	Steel
130113	1-1/4"x1-1/4"	16-18GA 14-15GA 11-12GA	32x32mm	1.2-1.5mm 1.8-2mm 2.5-3mm	7/16"	Zinc plated	Steel
130114	1-1/2"x1-1/2"	16-18GA 14-15GA 11-12GA	38x38mm	1.2-1.5mm 1.8-2mm 2.5-3mm	7/16"	Zinc plated	Steel
130118	-	-	40x40mm	1.2-1.5mm	7/16"	Zinc plated	Steel
130115	1-3/4"x1-3/4"	16-18GA 11-12GA	45x45mm	1.2-1.5mm 2.5-3mm	7/16"	Zinc plated	Steel
130116	2"x2"	16-18GA 11-12GA	50x50mm	1.2-1.5mm 2.5-3mm	7/16"	Zinc plated	Steel



Part No.	Tube O.D. (ins)	Tube (ins)	Tube O.D. (mm)	Tube (mm)	Friction Ring Stem	Color	Material
130090	7/8"	18-20GA 16-18GA 14-15GA	22mm	0.9-1.2mm 1.2-1.5mm 1.8-2mm	7/16"	Zinc plated	Steel
130091	1"	16-18GA 14-15GA	25mm	1.2-1.5mm 1.8-2mm	7/16"	Zinc plated	Steel
130097	-	-	28mm	0.9-1.2mm	7/16"	Zinc plated	Steel
130098	-	-	30mm	1.2-1.5mm	7/16"	Zinc plated	Steel
130092	1-1/8"	16-18GA	-	1.2-1.5mm	7/16"	Zinc plated	Steel
130093	1-1/4"	16-18GA 14-15GA 11-12GA	32mm	1.2-1.5mm 1.8-2mm 2.5-3mm	7/16"	Zinc plated	Steel
130094	1-1/2"	16-18GA 14-15GA 11-13GA	38mm	1.2-1.5mm 1.8-2mm 2.2-2.6mm	7/16"	Zinc plated	Steel
130095	1-3/4"	16-18GA 11-12GA	45mm	1.2-1.5mm 2.5-3mm	7/16"	Zinc plated	Steel
130096	2"	16-18GA 11-14GA	50mm	1.2-1.5mm 2-3mm	7/16"	Zinc plated	Steel



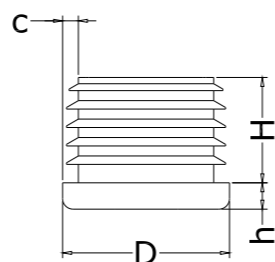
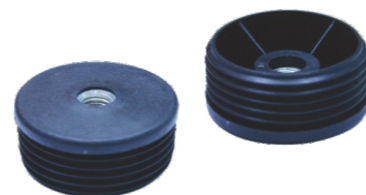
Part No.	Tube O.D. (ins)	Tube (ins)	Tube O.D. (mm)	Tube (mm)	Friction Ring Stem	Color	Material
130120	7/8"x7/8"	16-18GA	22x22mm	1.2-1.5mm	7/16"	Zinc plated	Steel
130121	1"x1"	16-18GA 14-15GA 10-11GA	25x25mm	1.2-1.5mm 1.8-2mm 3-3.5mm	7/16"	Zinc plated	Steel
130122	1-1/8"x1-1/8"	18-20GA 16-18GA 14-15GA	-	0.9-1.2mm 1.2-1.5mm 1.8-2mm	7/16"	Zinc plated	Steel
130127	-	-	30x30mm	1.2-1.5mm	7/16"	Zinc plated	Steel
130123	1-1/4"x1-1/4"	16-18GA 14-15GA 11-12GA	32x32mm	1.2-1.5mm 1.8-2mm 2.5-3mm	7/16"	Zinc plated	Steel
130124	1-1/2"x1-1/2"	16-18GA 14-15GA 11-12GA	38x38mm	1.2-1.5mm 1.8-2mm 2.5-3mm	7/16"	Zinc plated	Steel
130128	-	-	40x40mm	1.2-1.5mm	7/16"	Zinc plated	Steel
130125	1-3/4"x1-3/4"	16-18GA 11-12GA	45x45mm	1.2-1.5mm 2.5-3mm	7/16"	Zinc plated	Steel
130126	2"x2"	16-18GA 11-12GA	50x50mm	1.2-1.5mm 2.5-3mm	7/16"	Zinc plated	Steel



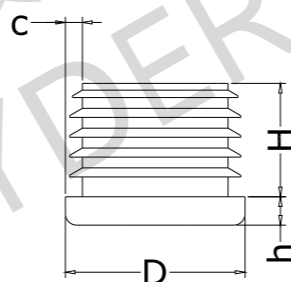
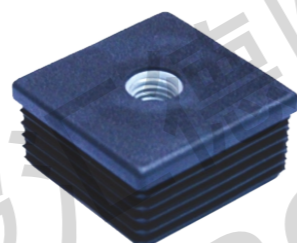
■ Caster socket for pintle glide series products adaptation  
pintle glide series products.  
Pintle Glide Series P 75-76.  
立轴连接件适配立轴调整脚系列产品  
立轴脚系列 P 75-76

## 7 Plastic Threaded Insert 塑料连接件

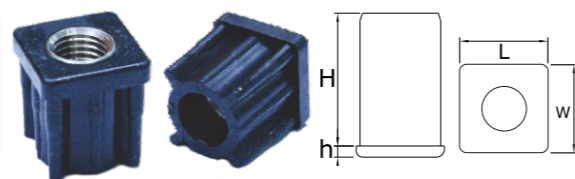
Part No.	Stem thread	Base Dia.	H	h	C	Material
130190	M6 (1/4"-20)	Ø 19mm	20mm	5mm	1.2-1.5mm	Nylon/HDPE
130220	M6 (1/4"-20)	Ø 22mm	20mm	5mm	1.2-1.5mm	Nylon/HDPE
130221	M8 (5/16"-18)	Ø 22mm	20mm	5mm	1.2-1.5mm	Nylon/HDPE
130250	M6 (1/4"-20)	Ø 25mm	20mm	5mm	1.2-1.5mm	Nylon/HDPE
130251	M8 (5/16"-18)	Ø 25mm	20mm	5mm	1.2-1.5mm	Nylon/HDPE
130320	M8 (5/16"-18)	Ø 32mm	20mm	5mm	1.2-1.5mm	Nylon/HDPE
130321	M10 (3/8"-16)	Ø 32mm	20mm	5mm	1.2-1.5mm	Nylon/HDPE
130350	M8 (5/16"-18)	Ø 35mm	20mm	5mm	1.2-1.5mm	Nylon/HDPE
130351	M10 (3/8"-16)	Ø 35mm	20mm	5mm	1.2-1.5mm	Nylon/HDPE
130520	M8 (5/16"-18)	Ø 50mm	20mm	5mm	1.2-1.5mm	Nylon/HDPE
130521	M10 (3/8"-16)	Ø 50mm	20mm	5mm	1.2-1.5mm	Nylon/HDPE
130522	M12 (1/2"-13)	Ø 50mm	20mm	5mm	1.2-1.5mm	Nylon/HDPE



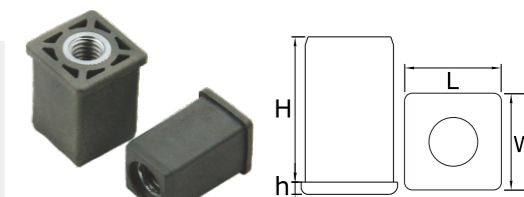
Part No.	Stem thread	Base Dia.	H	h	C	Material
131919	M6 (1/4"-20)	19x19mm	20mm	5mm	1.2-1.5mm	Nylon/HDPE
132020	M6 (1/4"-20)	20x20mm	20mm	5mm	1.2-1.5mm	Nylon/HDPE
132222	M6 (1/4"-20)	22x22mm	20mm	5mm	1.2-1.5mm	Nylon/HDPE
132220	M8 (5/16"-18)	22x22mm	20mm	5mm	1.2-1.5mm	Nylon/HDPE
132525	M6 (1/4"-20)	25x25mm	20mm	5mm	1.2-1.5mm	Nylon/HDPE
132520	M8 (5/16"-18)	25x25mm	20mm	5mm	1.2-1.5mm	Nylon/HDPE
133232	M8 (5/16"-18)	32x32mm	20mm	5mm	1.2-1.5mm	Nylon/HDPE
133230	M10 (3/8"-16)	32x32mm	20mm	5mm	1.2-1.5mm	Nylon/HDPE
133535	M8 (5/16"-18)	35x35mm	20mm	5mm	1.2-1.5mm	Nylon/HDPE
133530	M10 (3/8"-16)	35x35mm	20mm	5mm	1.2-1.5mm	Nylon/HDPE
134040	M6 (1/4"-20)	40x40mm	20mm	5mm	1.2-1.5mm	Nylon/HDPE
134041	M8 (5/16"-18)	40x40mm	20mm	5mm	1.2-1.5mm	Nylon/HDPE
134042	M10 (3/8"-16)	40x40mm	20mm	5mm	1.2-1.5mm	Nylon/HDPE
135050	M8 (5/16"-18)	50x50mm	20mm	5mm	1.2-1.5mm	Nylon/HDPE
135051	M10 (3/8"-16)	50x50mm	20mm	5mm	1.2-1.5mm	Nylon/HDPE
135052	M12 (1/2"-13)	50x50mm	20mm	5mm	1.2-1.5mm	Nylon/HDPE



Part No.	Stem thread	L	W	H	h	Material
240170	M16	30mm	30mm	27mm	6mm	PA6



Part No.	Stem thread	L	W	H	h	Material
240110	1/2"-13	25.4mm	25.4mm	37.3mm	3.3mm	PA6
240110-1	1/2"-13	31.8mm	31.8mm	37.3mm	3.3mm	PA6



Part No.	Stem thread	L	H	h	Material
240120	1/4"-20	25.4mm	12.7mm	0.8mm	PA6

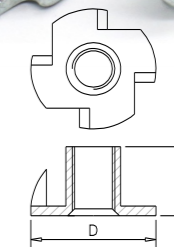


## 8 Wooden Furniture Connector 木质家具连接件

Part No.	Stem thread	D	H	Color	Material
130670	M6	28mm	11mm	Zinc plated	Steel
130671	M8	28mm	11mm	Zinc plated	Steel
130672	M10	28mm	11mm	Zinc plated	Steel
130673	1/4"-20	28mm	11mm	Zinc plated	Steel
130674	5/16"-18	28mm	11mm	Zinc plated	Steel
130675	3/8"-16	28mm	11mm	Zinc plated	Steel



Part No.	Stem thread	D	H	Color	Material
130490	M6	17.6mm	9mm	Zinc plated/Black Oxide	Steel
130491	M8	19.6mm	10mm	Zinc plated/Black Oxide	Steel
130492	M10	25mm	11mm	Zinc plated/Black Oxide	Steel
130493	1/4"-20	19mm	9mm	Zinc plated/Black Oxide	Steel
130494	5/16"-18	22mm	11mm	Zinc plated/Black Oxide	Steel
130495	3/8"-16	25mm	12.7mm	Zinc plated/Black Oxide	Steel



Part No.	Stem thread	Material
130690	1/4"-20	PP
130691	M6	PP

