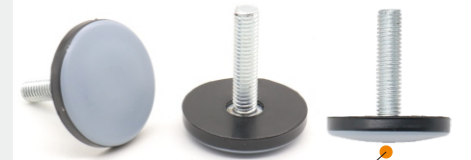


3 Easy Glide Leveler 助滑调整脚

Part No.	Dia.	Stem thread	H	Colour
HPT-T1100	40mm	M8x15mm	19.5mm	● ● ●
HPT-T1101	50mm	M4x25mm	19.5mm	● ● ●

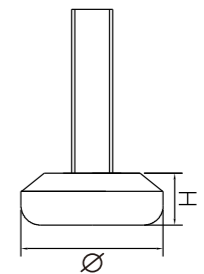


Part No.	Base Dia.	H	Stem thread	Color
HPT-T2510	25mm	10mm	5/16"-18x1"	● ● ●
HPT-T3010	30mm	10mm	5/16"-18x1"	● ● ●



Flat Bottom
平底

Part No.	Base Dia.	H	Stem thread	Color
HPT-T1504	15mm	5mm	M4x25mm	● ● ●
HPT-T2006	20mm	7.5mm	M6x25mm	● ● ●
HPT-T2014	20mm	7.5mm	1/4"-20x1"	● ● ●
HPT-T2206	22mm	8mm	M6x25mm	● ● ●
HPT-T2214	22mm	8mm	1/4"-20x1"	● ● ●
HPT-T2806	28mm	9mm	M6x25mm	● ● ●
HPT-T2814	28mm	9mm	1/4"-20x1"	● ● ●
HPT-T5008	50mm	9mm	M8x25mm	● ● ●
HPT-T5018	50mm	9mm	5/16"-18x1"	● ● ●
HPT-T5010	50mm	9mm	M10x25mm	● ● ●
HPT-T5016	50mm	9mm	3/8"-16x1"	● ● ●



Part No.	Dia.	Stem thread	H	Colour
HPT-T1120	50mm	M8x15mm	9.5mm	● ● ●
HPT-T1121	50mm	M10x15mm	9.5mm	● ● ●



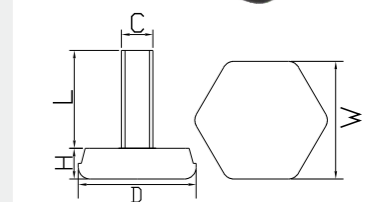
Part No.	Dia.	Stem thread	H	Colour
HPT-T1130	50mm	M8x15mm	9.5mm	● ● ●
HPT-T1131	50mm	M10x15mm	9.5mm	● ● ●



Part No.	Dia.	Stem thread	H	Colour
HPT-T1140	50mm	M8x15mm	38mm	● ● ●
HPT-T1141	50mm	M8x15mm	60mm	● ● ●



Part No.	W	H	Stem thread	Color
HPT-T3080	30mm	7.8mm	M8x25mm	● ● ●
HPT-T3081	30mm	7.8mm	M8x35mm	● ● ●
HPT-T3010	30mm	7.8mm	M10x25mm	● ● ●
HPT-T3011	30mm	7.8mm	M10x35mm	● ● ●
HPT-T4080	40mm	13mm	M8x25mm	● ● ●
HPT-T4081	40mm	13mm	M8x35mm	● ● ●
HPT-T4010	40mm	13mm	M10x25mm	● ● ●
HPT-T4011	40mm	13mm	M10x35mm	● ● ●



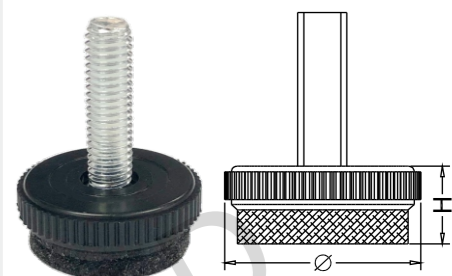
Can replace casters.
可代替脚轮使用

4 Felt Base Leveler 毛毡调整脚

Part No.	Base Dia.	H	Stem thread	Color	Material
140023	3/4"	10mm	1/4"-20x0.5"	Brown/Black	PP+Felt
140024	3/4"	10mm	1/4"-20x1"	Brown/Black	PP+Felt
140025	7/8"	10mm	1/4"-20x0.5"	Brown/Black	PP+Felt
140026	7/8"	10mm	1/4"-20x1"	Brown/Black	PP+Felt
140020	1"	10mm	1/4"-20x1"	Brown/Black	PP+Felt
140021	1"	10mm	5/16"-18x1"	Brown/Black	PP+Felt
140022	1"	10mm	3/8"-16x1"	Brown/Black	PP+Felt
140027	1-1/8"	10mm	1/4"-20x1"	Brown/Black	PP+Felt
140028	1-1/8"	10mm	5/16"-18x1"	Brown/Black	PP+Felt
140029	1-1/8"	10mm	3/8"-16x1"	Brown/Black	PP+Felt
140034	1-3/8"	10mm	1/4"-20x1"	Brown/Black	PP+Felt
140035	1-3/8"	10mm	5/16"-18x1"	Brown/Black	PP+Felt
140036	1-3/8"	10mm	3/8"-16x1"	Brown/Black	PP+Felt



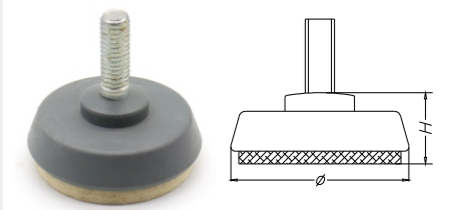
Part No.	Base Dia.	H	Stem thread	Color	Material
140040	20mm	11mm	1/4"-20x0.5"	Brown/Black	PP+Felt
140041	20mm	11mm	1/4"-20x1"	Brown/Black	PP+Felt
140042	25mm	11mm	1/4"-20x1"	Brown/Black	PP+Felt
140043	25mm	11mm	5/16"-18x1"	Brown/Black	PP+Felt
140044	32mm	11mm	1/4"-20x1"	Brown/Black	PP+Felt
140045	32mm	11mm	5/16"-18x1"	Brown/Black	PP+Felt
140046	32mm	11mm	3/8"-16x1"	Brown/Black	PP+Felt
140047	40mm	11mm	1/4"-20x1"	Brown/Black	PP+Felt
140048	40mm	11mm	5/16"-18x1"	Brown/Black	PP+Felt
140049	40mm	11mm	3/8"-16x1"	Brown/Black	PP+Felt



■ As shown in the picture, the product numbers are 140042 and 140043, i.e. the Felt Base Leveler with a diameter of 25mm at the base, and the base can be disassembled.
如右图所示, 其中产品编号为140042和140043即底部直径为25mm的毛毡底调整脚, 底座可以拆卸



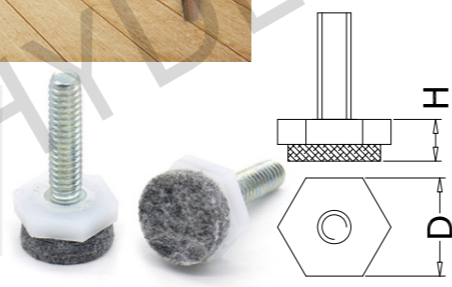
Part No.	Base Dia.	H	Stem thread	Color	Material
115100	2.28"	1"	3/8"-16x1"	Grey	PP+Felt
115101	2.28"	1"	3/8"-16x1.5"	Grey	PP+Felt
115102	2.28"	1"	M10x25mm	Grey	PP+Felt
115103	2.28"	1"	M10x38mm	Grey	PP+Felt



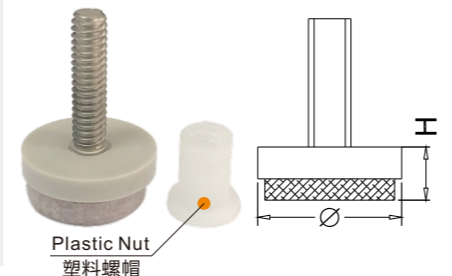
Part No.	Base Dia.	H	Stem thread	Color	Material
115400	28mm	9.5mm	M6x25.4mm	Black	PP+Felt
115401	28mm	9.5mm	1/4"x1"	Black	PP+Felt
115402	28mm	9.5mm	M8x25.4mm	Black	PP+Felt
115403	28mm	9.5mm	5/16"x1"	Black	PP+Felt



Part No.	Base Dia.	H	Stem thread	Color	Material
140080	18mm	9mm	1/4"-20x1"	White	PP+Felt
140081	18mm	9mm	5/16"-18x1"	White	PP+Felt



Part No.	Base Dia.	H	Stem thread	Color	Material
140090	24mm	9mm	1/4"-20x1"	Brown/Black	PP+Felt
140091	24mm	9mm	1/4"-20x1.5"	Brown/Black	PP+Felt
140092	37mm	9mm	5/16"-18x1"	Brown/Black	PP+Felt
140093	37mm	9mm	5/16"-18x1.5"	Brown/Black	PP+Felt

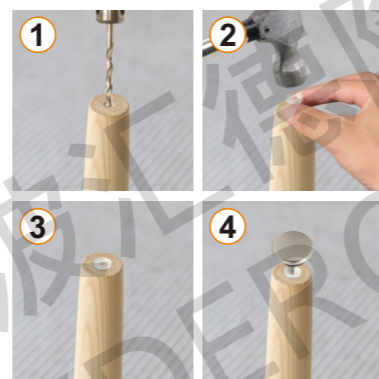


Levelers Series

Levelers Series

5 Metal Base Leveler 金属底调整脚

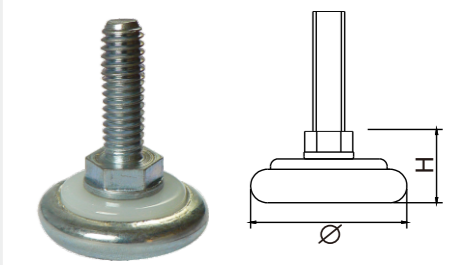
Part No.	Base Dia.	H	Stem thread	Color	Material
110210	19mm	0.394"	1/4"-20x0.5"	Nickel plated	Steel+PP
110211	19mm	0.394"	1/4"-20x1"	Nickel plated	Steel+PP
110220	22mm	0.394"	1/4"-20x0.5"	Nickel plated	Steel+PP
110221	22mm	0.394"	1/4"-20x1"	Nickel plated	Steel+PP
110230	24mm	0.394"	1/4"-20x0.5"	Nickel plated	Steel+PP
110231	24mm	0.394"	1/4"-20x1"	Nickel plated	Steel+PP
110232	24mm	0.394"	1/4"-20x1.5"	Nickel plated	Steel+PP
110233	24mm	0.394"	5/16"-18x1"	Nickel plated	Steel+PP
110234	24mm	0.394"	5/16"-18x1.5"	Nickel plated	Steel+PP
110240	27mm	0.394"	1/4"-20x0.5"	Nickel plated	Steel+PP
110241	27mm	0.394"	1/4"-20x1"	Nickel plated	Steel+PP
110242	27mm	0.394"	1/4"-20x1.5"	Nickel plated	Steel+PP
110243	27mm	0.394"	5/16"-18x1"	Nickel plated	Steel+PP
110244	27mm	0.394"	5/16"-18x1.5"	Nickel plated	Steel+PP
110250	30mm	0.394"	1/4"-20x0.5"	Nickel plated	Steel+PP
110251	30mm	0.394"	1/4"-20x1"	Nickel plated	Steel+PP
110252	30mm	0.394"	1/4"-20x1.5"	Nickel plated	Steel+PP
110253	30mm	0.394"	5/16"-18x1"	Nickel plated	Steel+PP
110254	30mm	0.394"	5/16"-18x1.5"	Nickel plated	Steel+PP
110340	38mm	0.394"	1/4"-20x1-1.5"	Nickel plated	Steel+PP
110341	38mm	0.394"	5/16"-18x1-2"	Nickel plated	Steel+PP
110342	38mm	0.394"	3/8"-16x1-2"	Nickel plated	Steel+PP
110343	40mm	0.394"	1/4"-20x1-1.5"	Nickel plated	Steel+PP
110345	40mm	0.394"	5/16"-18x1-2"	Nickel plated	Steel+PP
110346	40mm	0.394"	3/8"-16x1-2"	Nickel plated	Steel+PP



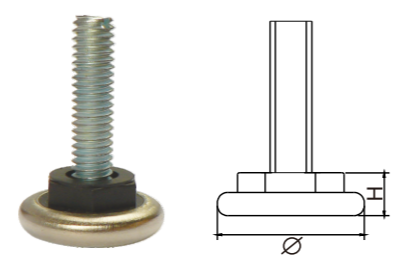
Part No.	Base Dia.	H	Stem thread	Color	Material
115360	24mm	0.394"	1/4"-20x0.5"	Nickel plated	Steel+PP
115361	24mm	0.394"	1/4"-20x1"	Nickel plated	Steel+PP
115362	24mm	0.394"	1/4"-20x1.5"	Nickel plated	Steel+PP
115363	24mm	0.394"	5/16"-18x1"	Nickel plated	Steel+PP
115364	24mm	0.394"	5/16"-18x1.5"	Nickel plated	Steel+PP
115370	27mm	0.394"	1/4"-20x0.5"	Nickel plated	Steel+PP
115371	27mm	0.394"	1/4"-20x1"	Nickel plated	Steel+PP
115372	27mm	0.394"	1/4"-20x1.5"	Nickel plated	Steel+PP
115373	27mm	0.394"	5/16"-18x1"	Nickel plated	Steel+PP
115374	27mm	0.394"	5/16"-18x1.5"	Nickel plated	Steel+PP



Part No.	Base Dia.	H	Stem thread	Color	Material
110280	1-1/4"	0.58"	5/16"-18x1"	Zinc plated	Steel+Nylon
110281	1-1/4"	0.58"	5/16"-18x1.5"	Zinc plated	Steel+Nylon
110282	1-1/4"	0.58"	3/8"-16x1"	Zinc plated	Steel+Nylon
110283	1-1/4"	0.58"	3/8"-16x1.5"	Zinc plated	Steel+Nylon



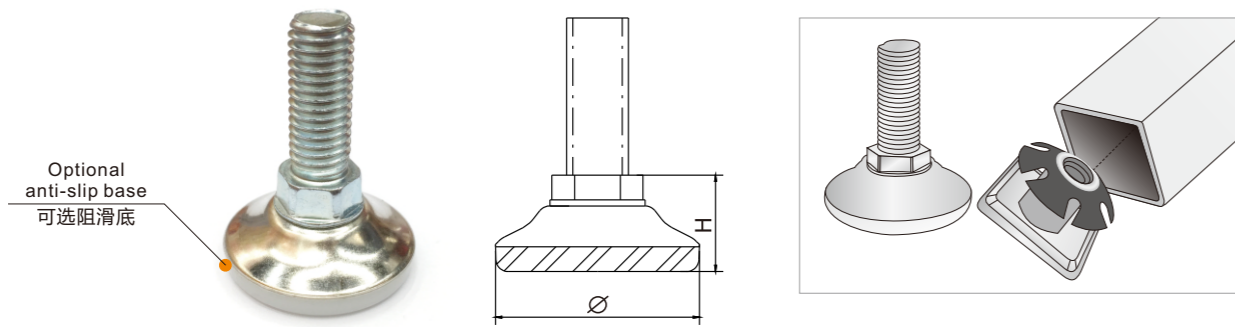
Part No.	Base Dia.	H	Stem thread	Color	Material
110270	27mm	2/5"	1/4"-20x1"	Nickel plated	Steel+PP
110271	27mm	2/5"	1/4"-20x1.5"	Nickel plated	Steel+PP
110272	27mm	2/5"	5/16"-18x1"	Nickel plated	Steel+PP
110273	27mm	2/5"	5/16"-18x1.5"	Nickel plated	Steel+PP



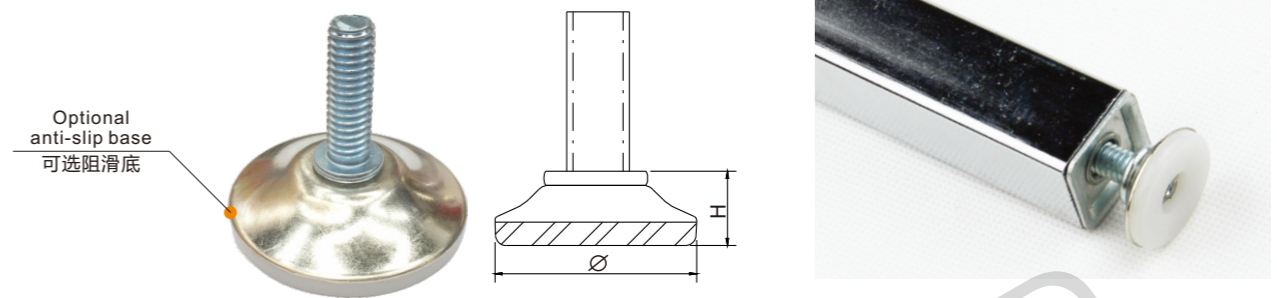
Levelers Series

Levelers Series

6 Riveted Type Leveler 铆接调整脚

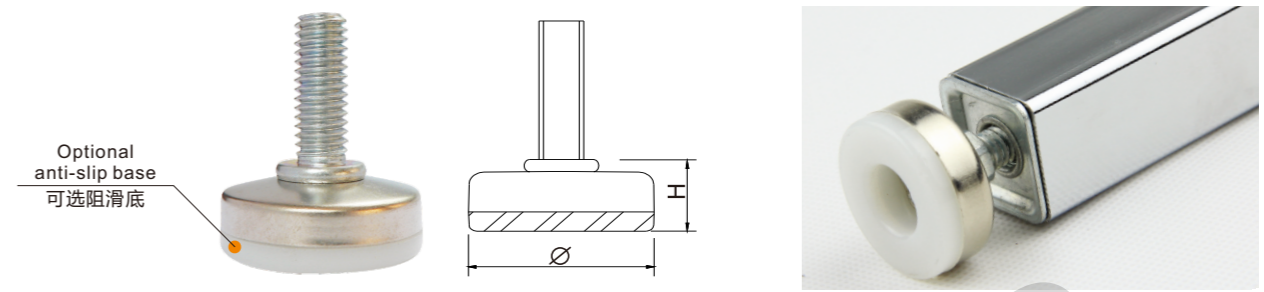
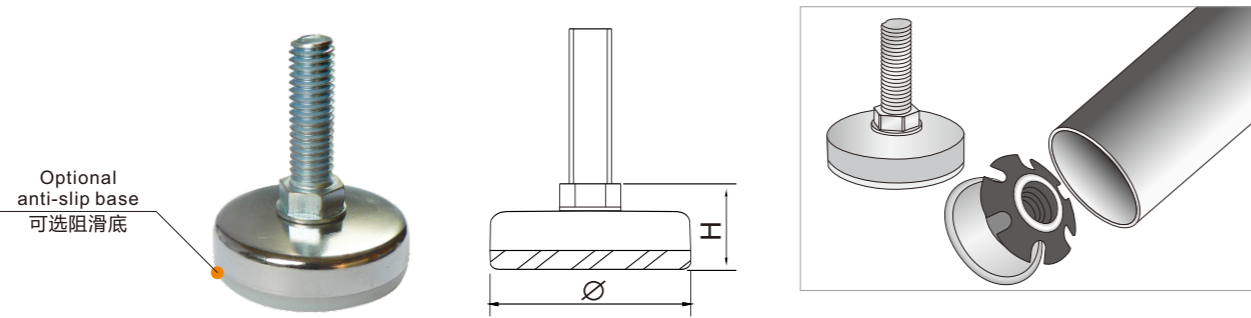


Part No.	Base Dia.	H	Stem thread	Length of stem thread	Color	Material
110510	28.5mm	0.512"	1/4"-20	1"/1.5"/2"	Nature/Black	Nylon/PP
110511	28.5mm	0.59"	5/16"-18	1"/1.5"/2"	Nature/Black	Nylon/PP
110512	28.5mm	13mm	M6	25mm/38mm/50mm	Nature/Black	Nylon/PP
110513	28.5mm	15mm	M8	25mm/38mm/50mm	Nature/Black	Nylon/PP
110514	32mm	0.59"	1/4"-20	1"/1.5"/2"	Nature/Black	Nylon/PP
110515	32mm	0.669"	5/16"-18	1"/1.5"/2"	Nature/Black	Nylon/PP
110516	32mm	0.669"	3/8"-16	1"/1.5"/2"	Nature/Black	Nylon/PP
110517	32mm	15mm	M6	25mm/38mm/50mm	Nature/Black	Nylon/PP
110518	32mm	17mm	M8	25mm/38mm/50mm	Nature/Black	Nylon/PP
110519	32mm	17mm	M10	25mm/38mm/50mm	Nature/Black	Nylon/PP
110560	43mm	0.63"	1/4"-20	1"/1.5"/2"	Nature/Black	Nylon/PP
110561	43mm	0.709"	5/16"-18	1"/1.5"/2"	Nature/Black	Nylon/PP
110562	43mm	0.709"	3/8"-16	1"/1.5"/2"	Nature/Black	Nylon/PP
110563	43mm	16mm	M6	25mm/38mm/50mm	Nature/Black	Nylon/PP
110564	43mm	18mm	M8	25mm/38mm/50mm	Nature/Black	Nylon/PP
110565	43mm	18mm	M10	25mm/38mm/50mm	Nature/Black	Nylon/PP



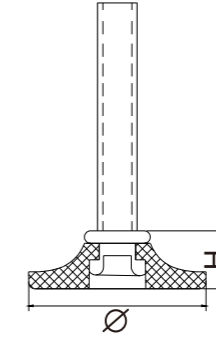
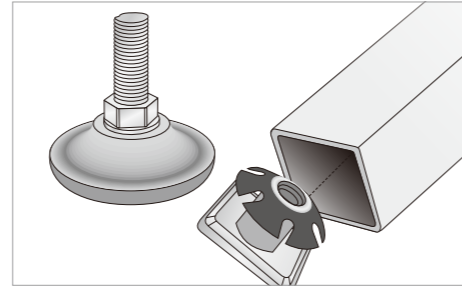
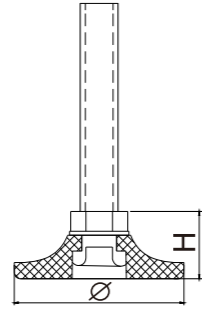
Part No.	Base Dia.	H	Stem thread	Length of stem thread	Color	Material
110570	28.5mm	0.413"	1/4"-20	1"/1.5"/2"	Nature/Black	Nylon/PP
110571	28.5mm	0.413"	5/16"-18	1"/1.5"/2"	Nature/Black	Nylon/PP
110572	28.5mm	10.5mm	M6	25mm/38mm/50mm	Nature/Black	Nylon/PP
110573	28.5mm	10.5mm	M8	25mm/38mm/50mm	Nature/Black	Nylon/PP
110574	32mm	0.492"	1/4"-20	1"/1.5"/2"	Nature/Black	Nylon/PP
110575	32mm	0.492"	5/16"-18	1"/1.5"/2"	Nature/Black	Nylon/PP
110576	32mm	0.512"	3/8"-16	1"/1.5"/2"	Nature/Black	Nylon/PP
110577	32mm	12.5mm	M6	25mm/38mm/50mm	Nature/Black	Nylon/PP
110578	32mm	12.5mm	M8	25mm/38mm/50mm	Nature/Black	Nylon/PP
110579	32mm	13mm	M10	25mm/38mm/50mm	Nature/Black	Nylon/PP
110580	43mm	0.531"	1/4"-20	1"/1.5"/2"	Nature/Black	Nylon/PP
110581	43mm	0.531"	5/16"-18	1"/1.5"/2"	Nature/Black	Nylon/PP
110582	43mm	0.551"	3/8"-16	1"/1.5"/2"	Nature/Black	Nylon/PP
110583	43mm	13.5mm	M6	25mm/38mm/50mm	Nature/Black	Nylon/PP
110584	43mm	13.5mm	M8	25mm/38mm/50mm	Nature/Black	Nylon/PP
110585	43mm	14mm	M10	25mm/38mm/50mm	Nature/Black	Nylon/PP





Part No.	Base Dia.	H	Stem thread	Length of stem thread	Color	Material
110390	25.4mm	0.49"	1/4"-20	1"/1.5"/2"	Nature/Black	Nylon/PP
110391	25.4mm	0.57"	5/16"-18	1"/1.5"/2"	Nature/Black	Nylon/PP
110392	25.4mm	12.5mm	M6	25mm/38mm/50mm	Nature/Black	Nylon/PP
110393	25.4mm	17.5mm	M8	25mm/38mm/50mm	Nature/Black	Nylon/PP
110394	35mm	0.689"	1/4"-20	1"/1.5"/2"	Nature/Black	Nylon/PP
110395	35mm	0.768"	5/16"-18	1"/1.5"/2"	Nature/Black	Nylon/PP
110396	35mm	0.768"	3/8"-16	1"/1.5"/2"	Nature/Black	Nylon/PP
110414	35mm	0.768"	1/2"-13	1"/1.5"/2"	Nature/Black	Nylon/PP
110397	35mm	17.5mm	M6	25mm/38mm/50mm	Nature/Black	Nylon/PP
110398	35mm	19.5mm	M8	25mm/38mm/50mm	Nature/Black	Nylon/PP
110399	35mm	19.5mm	M10	25mm/38mm/50mm	Nature/Black	Nylon/PP
110400	43mm	0.728"	1/4"-20	1"/1.5"/2"	Nature/Black	Nylon/PP
110401	43mm	0.807"	5/16"-18	1"/1.5"/2"	Nature/Black	Nylon/PP
110402	43mm	0.807"	3/8"-16	1"/1.5"/2"	Nature/Black	Nylon/PP
110403	43mm	0.85"	1/2"-13	1.5"/2"/2.5"	Nature/Black	Nylon/PP
110404	43mm	18.5mm	M6	25mm/38mm/50mm	Nature/Black	Nylon/PP
110405	43mm	20.5mm	M8	25mm/38mm/50mm	Nature/Black	Nylon/PP
110406	43mm	20.5mm	M10	25mm/38mm/50mm	Nature/Black	Nylon/PP
110407	43mm	21.6mm	M12	38mm/50mm/65mm	Nature/Black	Nylon/PP
110408	55mm	18.5mm	5/16"-18	1"/1.5"/2"	Nature/Black	Nylon/PP
110409	55mm	18.5mm	3/8"-16	1"/1.5"/2"	Nature/Black	Nylon/PP
110410	55mm	19.5mm	1/2"-13	1"/1.5"/2"	Nature/Black	Nylon/PP
110411	55mm	18.5mm	M8	25mm/38mm/50mm	Nature/Black	Nylon/PP
110412	55mm	18.5mm	M10	25mm/38mm/50mm	Nature/Black	Nylon/PP
110413	55mm	19.5mm	M12	25mm/38mm/50mm	Nature/Black	Nylon/PP

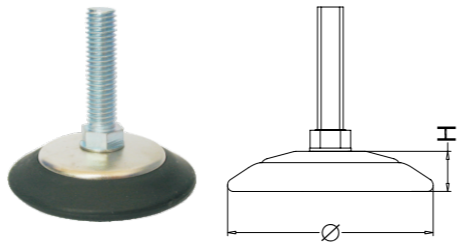
Part No.	Base Dia.	H	Stem thread	Length of stem thread	Color	Material
110450	25.4mm	0.393"	1/4"-20	1"/1.5"/2"	Nature/Black	Nylon/PP
110451	25.4mm	0.393"	5/16"-18	1"/1.5"/2"	Nature/Black	Nylon/PP
110452	25.4mm	10mm	M6	25mm/38mm/50mm	Nature/Black	Nylon/PP
110453	25.4mm	10mm	M8	25mm/38mm/50mm	Nature/Black	Nylon/PP
110454	35mm	0.59"	1/4"-20	1"/1.5"/2"	Nature/Black	Nylon/PP
110455	35mm	0.59"	5/16"-18	1"/1.5"/2"	Nature/Black	Nylon/PP
110456	35mm	0.61"	3/8"-16	1"/1.5"/2"	Nature/Black	Nylon/PP
110457	35mm	15mm	M6	25mm/38mm/50mm	Nature/Black	Nylon/PP
110458	35mm	15mm	M8	25mm/38mm/50mm	Nature/Black	Nylon/PP
110459	35mm	15.5mm	M10	25mm/38mm/50mm	Nature/Black	Nylon/PP
110460	43mm	0.63"	1/4"-20	1"/1.5"/2"	Nature/Black	Nylon/PP
110461	43mm	0.63"	5/16"-18	1"/1.5"/2"	Nature/Black	Nylon/PP
110462	43mm	0.65"	3/8"-16	1"/1.5"/2"	Nature/Black	Nylon/PP
110463	43mm	0.673"	1/2"-13	1.5"/2"/2.5"	Nature/Black	Nylon/PP
110464	43mm	16mm	M6	25mm/38mm/50mm	Nature/Black	Nylon/PP
110465	43mm	16mm	M8	25mm/38mm/50mm	Nature/Black	Nylon/PP
110466	43mm	16.5mm	M10	25mm/38mm/50mm	Nature/Black	Nylon/PP
110467	43mm	17mm	M12	38mm/50mm/65mm	Nature/Black	Nylon/PP
110468	55mm	14mm	5/16"-18	1"/1.5"/2"	Nature/Black	Nylon/PP
110469	55mm	14mm	3/8"-16	1"/1.5"/2"	Nature/Black	Nylon/PP
110470	55mm	14.5mm	1/2"-13	1"/1.5"/2"	Nature/Black	Nylon/PP
110471	55mm	14mm	M8	25mm/38mm/50mm	Nature/Black	Nylon/PP
110472	55mm	14mm	M10	25mm/38mm/50mm	Nature/Black	Nylon/PP
110473	55mm	14.5mm	M12	25mm/38mm/50mm	Nature/Black	Nylon/PP



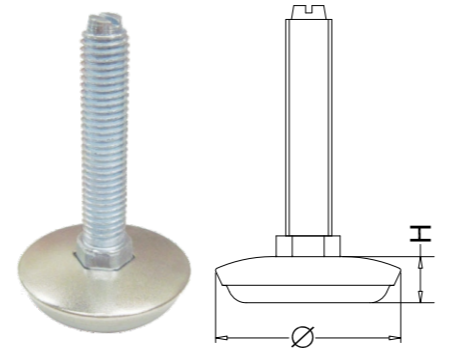
Part No.	Base Dia.	H	Stem thread	Length of stem thread	Color	Material
110310	25.4mm	0.56"	1/4"-20	1"/1.5"/2"	Nature/Black	Nylon/PP
110311	25.4mm	0.638"	5/16"-18	1"/1.5"/2"	Nature/Black	Nylon/PP
110312	25.4mm	14.2mm	M6	25mm/38mm/50mm	Nature/Black	Nylon/PP
110313	25.4mm	16.2mm	M8	25mm/38mm/50mm	Nature/Black	Nylon/PP
110314	28.5mm	0.49"	1/4"-20	1"/1.5"/2"	Nature/Black	Nylon/PP
110315	28.5mm	0.57"	5/16"-18	1"/1.5"/2"	Nature/Black	Nylon/PP
110316	28.5mm	12.5mm	M6	25mm/38mm/50mm	Nature/Black	Nylon/PP
110317	28.5mm	14.5mm	M8	25mm/38mm/50mm	Nature/Black	Nylon/PP
110318	32mm	0.57"	1/4"-20	1"/1.5"/2"	Nature/Black	Nylon/PP
110319	32mm	0.65"	5/16"-18	1"/1.5"/2"	Nature/Black	Nylon/PP
110320	32mm	0.65"	3/8"-16	1"/1.5"/2"	Nature/Black	Nylon/PP
110321	32mm	14.5mm	M6	25mm/38mm/50mm	Nature/Black	Nylon/PP
110322	32mm	16.5mm	M8	25mm/38mm/50mm	Nature/Black	Nylon/PP
110323	32mm	16.5mm	M10	25mm/38mm/50mm	Nature/Black	Nylon/PP
110324	35mm	0.472"	1/4"-20	1"/1.5"/2"	Nature/Black	Nylon/PP
110325	35mm	0.472"	5/16"-18	1"/1.5"/2"	Nature/Black	Nylon/PP
110326	35mm	0.492"	3/8"-16	1"/1.5"/2"	Nature/Black	Nylon/PP
110327	35mm	12mm	M6	25mm/38mm/50mm	Nature/Black	Nylon/PP
110328	35mm	12mm	M8	25mm/38mm/50mm	Nature/Black	Nylon/PP
110329	35mm	12.5mm	M10	25mm/38mm/50mm	Nature/Black	Nylon/PP
110330	43mm	0.57"	1/4"-20	1"/1.5"/2"	Nature/Black	Nylon/PP
110331	43mm	0.65"	5/16"-18	1"/1.5"/2"	Nature/Black	Nylon/PP
110332	43mm	0.65"	3/8"-16	1"/1.5"/2"	Nature/Black	Nylon/PP
110333	43mm	14.5mm	M6	25mm/38mm/50mm	Nature/Black	Nylon/PP
110334	43mm	16.5mm	M8	25mm/38mm/50mm	Nature/Black	Nylon/PP
110335	43mm	16.5mm	M10	25mm/38mm/50mm	Nature/Black	Nylon/PP

Part No.	Base Dia.	H	Stem thread	Length of stem thread	Color	Material
110350	25.4mm	0.46"	1/4"-20	1"/1.5"/2"	Nature/Black	Nylon/PP
110351	25.4mm	0.46"	5/16"-18	1"/1.5"/2"	Nature/Black	Nylon/PP
110352	25.4mm	11.7mm	M6	25mm/38mm/50mm	Nature/Black	Nylon/PP
110353	25.4mm	11.7mm	M8	25mm/38mm/50mm	Nature/Black	Nylon/PP
110354	28.5mm	0.393"	1/4"-20	1"/1.5"/2"	Nature/Black	Nylon/PP
110355	28.5mm	0.393"	5/16"-18	1"/1.5"/2"	Nature/Black	Nylon/PP
110356	28.5mm	10mm	M6	25mm/38mm/50mm	Nature/Black	Nylon/PP
110357	28.5mm	10mm	M8	25mm/38mm/50mm	Nature/Black	Nylon/PP
110358	32mm	0.472"	1/4"-20	1"/1.5"/2"	Nature/Black	Nylon/PP
110359	32mm	0.472"	5/16"-18	1"/1.5"/2"	Nature/Black	Nylon/PP
110360	32mm	0.492"	3/8"-16	1"/1.5"/2"	Nature/Black	Nylon/PP
110361	32mm	12mm	M6	25mm/38mm/50mm	Nature/Black	Nylon/PP
110362	32mm	12mm	M8	25mm/38mm/50mm	Nature/Black	Nylon/PP
110363	32mm	12.5mm	M10	25mm/38mm/50mm	Nature/Black	Nylon/PP
110364	35mm	0.472"	1/4"-20	1"/1.5"/2"	Nature/Black	Nylon/PP
110365	35mm	0.472"	5/16"-18	1"/1.5"/2"	Nature/Black	Nylon/PP
110366	35mm	0.492"	3/8"-16	1"/1.5"/2"	Nature/Black	Nylon/PP
110367	35mm	12mm	M6	25mm/38mm/50mm	Nature/Black	Nylon/PP
110368	35mm	12mm	M8	25mm/38mm/50mm	Nature/Black	Nylon/PP
110369	35mm	12.5mm	M10	25mm/38mm/50mm	Nature/Black	Nylon/PP
110370	43mm	0.512"	1/4"-20	1"/1.5"/2"	Nature/Black	Nylon/PP
110371	43mm	0.512"	5/16"-18	1"/1.5"/2"	Nature/Black	Nylon/PP
110372	43mm	0.531"	3/8"-16	1"/1.5"/2"	Nature/Black	Nylon/PP
110373	43mm	13mm	M6	25mm/38mm/50mm	Nature/Black	Nylon/PP
110374	43mm	13mm	M8	25mm/38mm/50mm	Nature/Black	Nylon/PP
110375	43mm	13.5mm	M10	25mm/38mm/50mm	Nature/Black	Nylon/PP

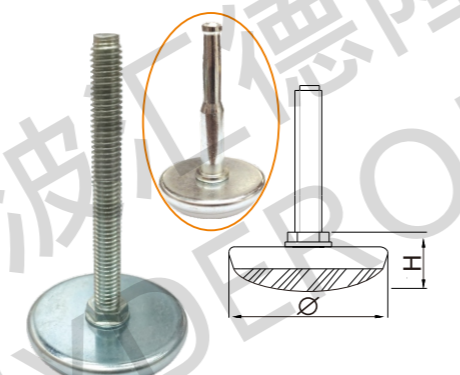
Part No.	Base Dia.	H	Stem thread	Color	Material
110800	2-1/2"	0.5"	5/16"-18x1"	Black/Nature	Nylon/PP
110801	2-1/2"	0.5"	5/16"-18x1.5"	Black/Nature	Nylon/PP
110802	2-1/2"	0.5"	5/16"-18x2"	Black/Nature	Nylon/PP
110803	2-1/2"	0.5"	3/8"-16x1"	Black/Nature	Nylon/PP
110804	2-1/2"	0.5"	3/8"-16x1.5"	Black/Nature	Nylon/PP
110805	2-1/2"	0.5"	3/8"-16x2"	Black/Nature	Nylon/PP



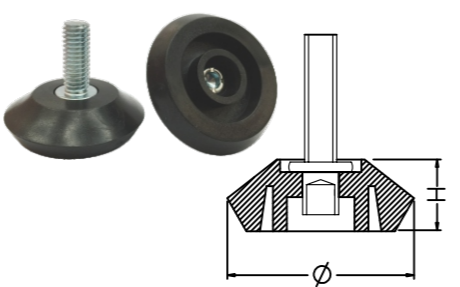
Part No.	Base Dia.	H	Stem thread	Color	Material
110990	40mm	0.5"	5/16"-18x1"	Black/Nature	Nylon/PP
110991	40mm	0.5"	5/16"-18x1.5"	Black/Nature	Nylon/PP
110992	40mm	0.5"	5/16"-18x2"	Black/Nature	Nylon/PP
110993	40mm	0.5"	3/8"-16x1"	Black/Nature	Nylon/PP
110994	40mm	0.5"	3/8"-16x1.5"	Black/Nature	Nylon/PP
110995	40mm	0.5"	3/8"-16x2"	Black/Nature	Nylon/PP



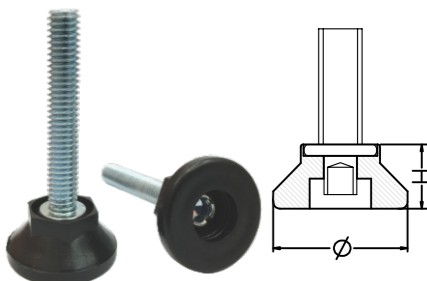
Part No.	Base Dia.	H	Stem thread	Color	Material
115820	58mm	20mm	3/8"-16x3"	Nature	PP
115821	58mm	20mm	3/8"-16x4"	Nature	PP
115822	58mm	20mm	3/8"-16x5"	Nature	PP
115823	58mm	20mm	M10x75mm	Nature	PP
115824	58mm	20mm	M10x100mm	Nature	PP
115825	58mm	20mm	M10x125mm	Nature	PP



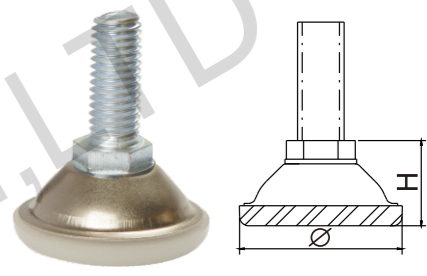
Part No.	Base Dia.	H	Stem thread	L	Color	Material
111100	1-3/8"	0.55"	1/4"-20	1"/1.5"/2"/2.5"/3"	Black	PP
111101	1-3/8"	0.55"	5/16"-18	1"/1.5"/2"/2.5"/3"	Black	PP
111102	1-3/8"	0.55"	3/8"-16	1"/1.5"/2"/2.5"/3"	Black	PP
111103	2"	0.55"	1/4"-20	1"/1.5"/2"/2.5"/3"	Black	PP
111104	2"	0.55"	5/16"-18	1"/1.5"/2"/2.5"/3"	Black	PP
111105	2"	0.55"	3/8"-16	1"/1.5"/2"/2.5"/3"	Black	PP



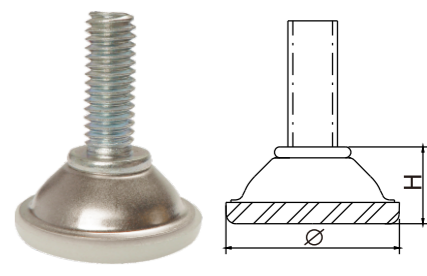
Part No.	Base Dia.	H	Stem thread	L	Color	Material
111110	1-1/8"	0.55"	1/4"-20	1"/1.5"/2"/2.5"/3"	Black	PP
111111	1-1/8"	0.55"	5/16"-18	1"/1.5"/2"/2.5"/3"	Black	PP
111112	1-1/8"	0.55"	3/8"-16	1"/1.5"/2"/2.5"/3"	Black	PP



Part No.	Base Dia.	H	Stem thread	Color	Material
110290	1-3/8"	0.7"	3/8"-16x1"	Nature	Nylon/PP
110291	1-3/8"	0.7"	3/8"-16x1.5"	Nature	Nylon/PP
110292	1-3/8"	0.7"	3/8"-16x2"	Nature	Nylon/PP
110293	1-3/8"	0.7"	M10x25mm	Nature	Nylon/PP
110294	1-3/8"	0.7"	M10x38.1mm	Nature	Nylon/PP
110295	1-3/8"	0.7"	M10x50.8mm	Nature	Nylon/PP

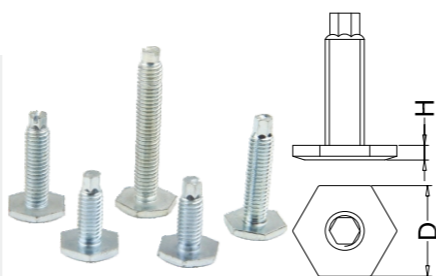


Part No.	Base Dia.	H	Stem thread	Color	Material
110300	1-3/8"	1/2"	3/8"-16x1"	Nature	Nylon/PP
110301	1-3/8"	1/2"	3/8"-16x1.5"	Nature	Nylon/PP
110302	1-3/8"	1/2"	3/8"-16x2"	Nature	Nylon/PP
110303	1-3/8"	1/2"	M10x25mm	Nature	Nylon/PP
110304	1-3/8"	1/2"	M10x38.1mm	Nature	Nylon/PP
110305	1-3/8"	1/2"	M10x50.8mm	Nature	Nylon/PP
110306	1-3/8"	1/2"	5/16"-18x1"	Nature	Nylon/PP

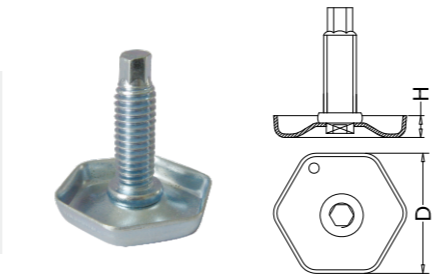


7 Metal Leveler 全钢调整脚

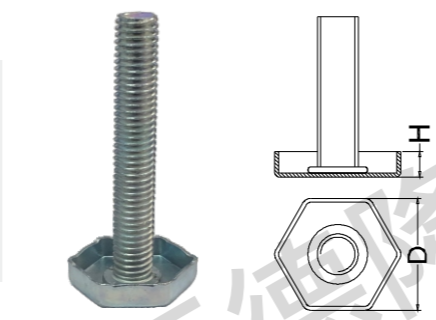
Part No.	Base Dia.	H	Stem thread	Color	Material
110830	0.87"	0.15"	3/8"-16x1-1/8"	Zinc plated	Steel
110831	0.87"	0.15"	3/8"-16x1-1/2"	Zinc plated	Steel
110832	0.87"	0.15"	3/8"-16x2-1/2"	Zinc plated	Steel



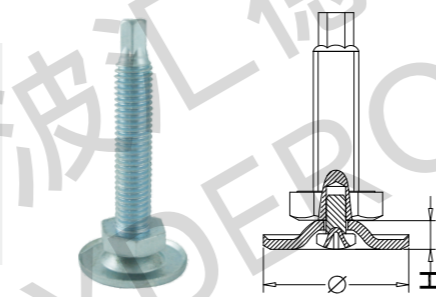
Part No.	Base Dia.	H	Stem thread	Color	Material
110840	1.386"	0.256"	3/8"-16x1.22"	Zinc plated	Steel
110841	1.386"	0.256"	3/8"-16x1.83"	Zinc plated	Steel



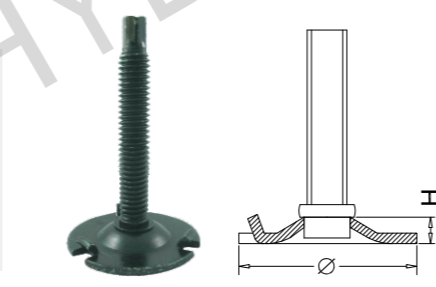
Part No.	Base Dia.	H	Stem thread	Color	Material
110845	35mm	8mm	1/2"-13x1"	Zinc plated	Steel
110846	35mm	8mm	1/2"-13x2"	Zinc plated	Steel
110847	35mm	8mm	1/2"-13x3"	Zinc plated	Steel



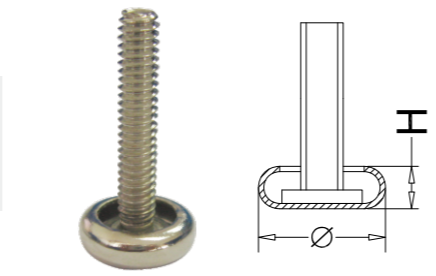
Part No.	Base Dia.	H	Stem thread	Color	Material
110850	1.18"	0.24"	3/8"-16x2.4"	Zinc plated	Steel
110851	1.18"	0.24"	3/8"-16x3"	Zinc plated	Steel
110852	1.18"	0.24"	3/8"-16x3.5"	Zinc plated	Steel



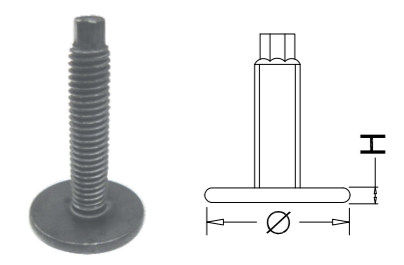
Part No.	Base Dia.	H	Stem thread	Color	Material
110860	1-11/16"	1/4"	3/8"-16x2.875"	Black Oxide	Steel
110861	1-11/16"	1/4"	3/8"-16x3"	Black Oxide	Steel
110862	1-11/16"	1/4"	3/8"-16x3.874"	Black Oxide	Steel



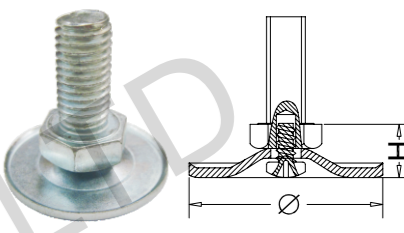
Part No.	Base Dia.	H	Stem thread	Color	Material
110970	19mm	1/4"	1/4"-20x32mm	Nickel plated	Steel



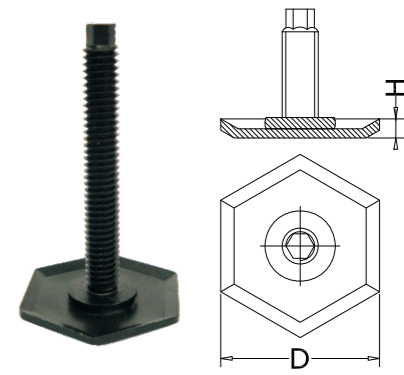
Part No.	Base Dia.	H	Stem thread	Color	Material
111030	30mm	5mm	3/8"-16x1.5"	Black Zinc plated	Steel



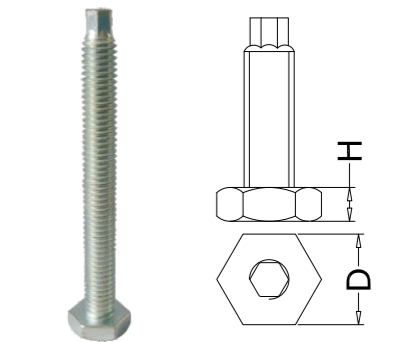
Part No.	Base Dia.	H	Stem thread	Color	Material
111040	40mm	15mm	1/2"-13x1"	Zinc plated	Steel
111041	40mm	15mm	3/8"-16x1"	Zinc plated	Steel



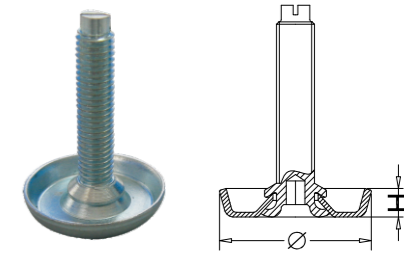
Part No.	Base Dia.	H	Stem thread	L	Material
110930	1-1/8"	0.12"	5/16"-18	1"/1.5"/2"	Steel
110931	1-1/8"	0.12"	3/8"-16	1"/1.5"/2"	Steel
110932	1-1/8"	0.12"	M8	25mm/38mm/50mm	Steel
110933	1-1/8"	0.12"	M10	25mm/38mm/50mm	Steel
110934	1-3/8"	0.12"	5/16"-18	1"/1.5"/2"	Steel
110935	1-3/8"	0.12"	3/8"-16	1"/1.5"/2"	Steel
110936	1-3/8"	0.12"	M8	25mm/38mm/50mm	Steel
110937	1-3/8"	0.12"	M10	25mm/38mm/50mm	Steel



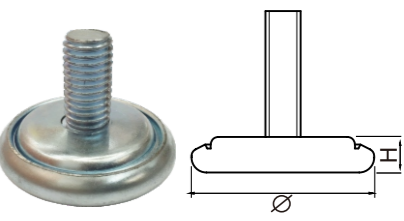
Part No.	Base Dia.	H	Stem thread	Color	Material
110940	17mm	1/4"	3/8"-16x2"	Zinc plated	Steel
110941	17mm	1/4"	3/8"-16x3"	Zinc plated	Steel
110942	17mm	1/4"	3/8"-16x3.5"	Zinc plated	Steel



Part No.	Base Dia.	H	Stem thread	Color	Material
110950	32mm	1/4"	M8x38mm	Nickel plated	Steel



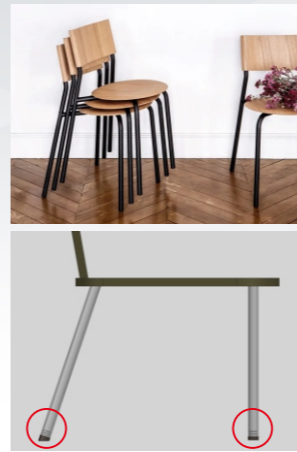
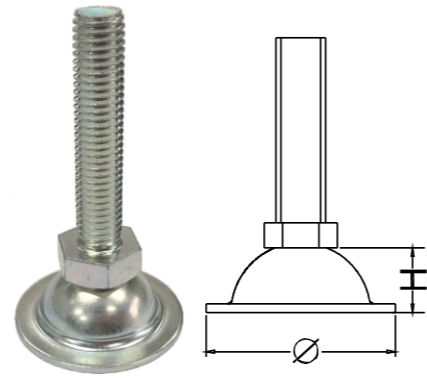
Part No.	Base Dia.	H	Stem thread	L	Color	Material
111190	1-1/2"	0.375"	5/16"-18	1"/1.5"/2"/2.5"/3"	Zinc plated	Iron
111191	1-1/2"	0.375"	3/8"-16	1"/1.5"/2"/2.5"/3"	Zinc plated	Iron
111195	2"	0.375"	3/8"-16	1"/1.5"/2"/2.5"/3"	Zinc plated	Iron
111196	2"	0.375"	1/2"-13	1"/1.5"/2"/2.5"/3"	Zinc plated	Iron



Levelers Series

Levelers Series

Part No.	Base Dia.	H	Stem thread	Color	Material
111200	30mm	7.5mm	5/16"-18x2"	Zinc Plated	Steel
111201	30mm	7.5mm	5/16"-18x3"	Zinc Plated	Steel
111202	30mm	7.5mm	3/8"-16x2"	Zinc Plated	Steel
111203	30mm	7.5mm	3/8"-16x3"	Zinc Plated	Steel
111204	38mm	13mm	5/16"-18x2"	Zinc Plated	Steel
111205	38mm	13mm	5/16"-18x3"	Zinc Plated	Steel
111206	38mm	13mm	3/8"-16x2"	Zinc Plated	Steel
111207	38mm	13mm	3/8"-16x3"	Zinc Plated	Steel
111208	55mm	14mm	1/2"-13x2"	Zinc Plated	Steel
111209	55mm	14mm	1/2"-13x3"	Zinc Plated	Steel
111210	55mm	14mm	1/2"-13x4"	Zinc Plated	Steel
111211	60mm	21mm	1/2"-13x2"	Zinc Plated	Steel
111212	60mm	21mm	1/2"-13x3"	Zinc Plated	Steel
111213	60mm	21mm	1/2"-13x4"	Zinc Plated	Steel
111214	75mm	21mm	5/8"-11x3"	Zinc Plated	Steel
111215	75mm	21mm	5/8"-11x4"	Zinc Plated	Steel



22°

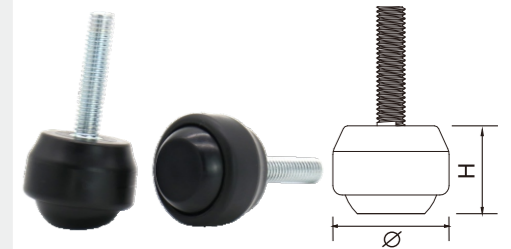
The angle can be adjusted in the range of 0-22°. 角度可在0-22°范围内调整。

Patent Product 专利产品

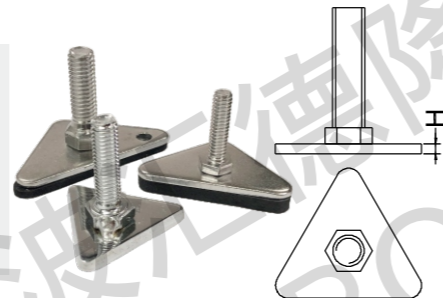


8 Swivel Leveler 方向/微调调整脚

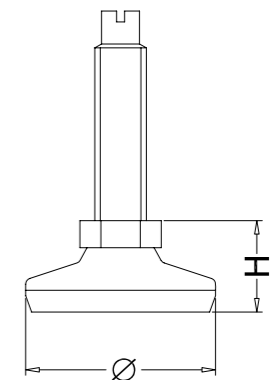
Part No.	Base Dia.	H	Stem thread	Angle	Color	Material
115220	25mm	18.5mm	M6x25mm	0-22°	Black	Nylon
115221	25mm	18.5mm	M8x25mm	0-22°	Black	Nylon
115222	30mm	22mm	M6x25mm	0-22°	Black	Nylon
115223	30mm	22mm	M8x25mm	0-22°	Black	Nylon
115224	35mm	24.5mm	M6x25mm	0-22°	Black	Nylon
115225	35mm	24.5mm	M8x25mm	0-22°	Black	Nylon



Part No.	Base Dia.	H	Stem thread	Color	Material
111220	40x40x40mm	3mm	1/4"-20x1"	Chromium Plated	Steel
111221	40x40x53mm	3mm	5/16"-18x1"	Chromium Plated	Steel
111222	48x48x64mm	3mm	3/8"-16x1"	Chromium Plated	Steel



Part No.	Base Dia.	H	Stem thread	Color	Material
110870	1-1/8"	0.66"	1/4"-20x0.5"	Nature	Nylon/PP
110871	1-1/8"	0.66"	1/4"-20x1"	Nature	Nylon/PP
110872	1-1/8"	0.66"	5/16"-18x1"	Nature	Nylon/PP
110873	1-1/8"	0.66"	5/16"-18x1.5"	Nature	Nylon/PP
110874	1-1/8"	0.66"	3/8"-16x1"	Nature	Nylon/PP
110875	1-1/8"	0.66"	3/8"-16x1.5"	Nature	Nylon/PP
111870	1-3/8"	0.66"	1/4"-20x0.5"	Nature	Nylon/PP
111871	1-3/8"	0.66"	1/4"-20x1"	Nature	Nylon/PP
111872	1-3/8"	0.66"	5/16"-18x1"	Nature	Nylon/PP
111873	1-3/8"	0.66"	5/16"-18x1.5"	Nature	Nylon/PP
111874	1-3/8"	0.66"	3/8"-16x1"	Nature	Nylon/PP
111875	1-3/8"	0.66"	3/8"-16x1.5"	Nature	Nylon/PP
112870	1-1/2"	0.66"	1/4"-20x0.5"	Nature	Nylon/PP
112871	1-1/2"	0.66"	1/4"-20x1"	Nature	Nylon/PP
112872	1-1/2"	0.66"	5/16"-18x1"	Nature	Nylon/PP
112873	1-1/2"	0.66"	5/16"-18x1.5"	Nature	Nylon/PP
112874	1-1/2"	0.66"	3/8"-16x1"	Nature	Nylon/PP
112875	1-1/2"	0.66"	3/8"-16x1.5"	Nature	Nylon/PP



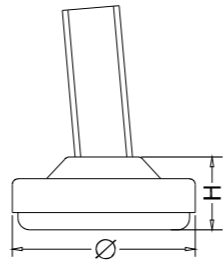
Part No.	Fit Size	Color	Material
111230	1/2"	Black	ABS
111231	3/4"	Black	ABS
111232	1"	Black	ABS



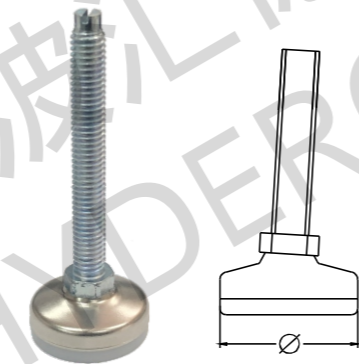
Levelers Series

Levelers Series

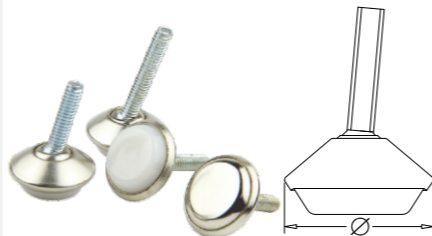
Part No.	Base Dia.	H	Stem thread	Color	Material
111240	25mm	9.5mm	1/4"-20x1"	Nature	Nylon/PP
111241	25mm	9.5mm	1/4"-20x1-1/2"	Nature	Nylon/PP
111242	25mm	9.5mm	M6x25mm	Nature	Nylon/PP
111243	25mm	9.5mm	M6x38mm	Nature	Nylon/PP
115300	32mm	9.5mm	1/4"-20x1"	Nature	Nylon/PP
115301	32mm	9.5mm	1/4"-20x1-1/2"	Nature	Nylon/PP
115302	32mm	9.5mm	M6x25mm	Nature	Nylon/PP
115303	32mm	9.5mm	M6x38mm	Nature	Nylon/PP
115304	32mm	9.5mm	5/6"-18x1"	Nature	Nylon/PP
115305	32mm	9.5mm	5/6"-18x1-1/2"	Nature	Nylon/PP
115306	32mm	9.5mm	M8x25mm	Nature	Nylon/PP
115307	32mm	9.5mm	M8x38mm	Nature	Nylon/PP
115310	40mm	9.5mm	5/6"-18x1"	Nature	Nylon/PP
115311	40mm	9.5mm	5/6"-18x1-1/2"	Nature	Nylon/PP
115312	40mm	9.5mm	M8x25mm	Nature	Nylon/PP
115313	40mm	9.5mm	M8x38mm	Nature	Nylon/PP
115314	40mm	9.5mm	3/8"-16x1"	Nature	Nylon/PP
115315	40mm	9.5mm	3/8"-16x1-1/2"	Nature	Nylon/PP
115316	40mm	9.5mm	M10x25mm	Nature	Nylon/PP
115317	40mm	9.5mm	M10x38mm	Nature	Nylon/PP



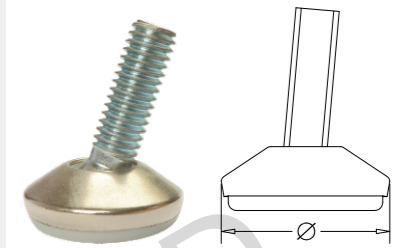
Part No.	Base Dia.	Stem thread	Color	Material
113870	35mm	3/8"-16x1"	Nature	Nylon/PP
113871	35mm	3/8"-16x1.5"	Nature	Nylon/PP
113872	35mm	3/8"-16x2.5"	Nature	Nylon/PP
113873	35mm	3/8"-16x3"	Nature	Nylon/PP



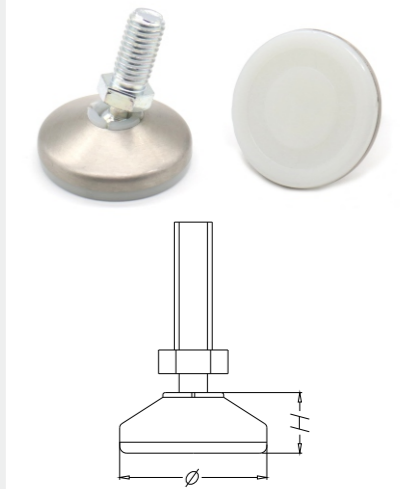
Part No.	Base Dia.	Stem thread	Color	Material
110903	25mm	M6x25mm	Nature	Nylon/PP
110904	25mm	1/4"-20x1"	Nature	Nylon/PP
110905	25mm	1/4"-20x1.5"	Nature	Nylon/PP
110902	31mm	M6x25mm	Nature	Nylon/PP
110900	31mm	1/4"-20x1"	Nature	Nylon/PP
110901	31mm	1/4"-20x1.5"	Nature	Nylon/PP



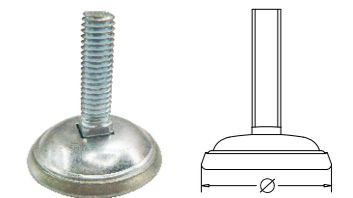
Part No.	Base Dia.	Stem thread	Color	Material
110910	1-1/4"	3/8"-16x1"	Nature	Nylon/PP
110911	1-1/4"	3/8"-16x1.5"	Nature	Nylon/PP
110912	1-1/4"	3/8"-16x2"	Nature	Nylon/PP
110913	1-1/4"	5/16"-18x1"	Nature	Nylon/PP
110914	1-1/4"	5/16"-18x1.5"	Nature	Nylon/PP
110915	1-1/4"	5/16"-18x2"	Nature	Nylon/PP
110916	24mm	1/4"-20x1"	Nature	Nylon/PP



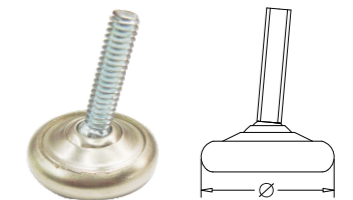
Part No.	Base Dia.	H	Stem thread	Color	Material
110670	30mm	11mm	5/16"-18x1"	Nature	Nylon
110671	30mm	11mm	5/16"-18x1.5"	Nature	Nylon
110672	30mm	11mm	M8x25mm	Nature	Nylon
110673	30mm	11mm	M8x38mm	Nature	Nylon
111670	40mm	15mm	3/8"-16x1"	Nature	Nylon
111671	40mm	15mm	3/8"-16x1.5"	Nature	Nylon
111672	40mm	15mm	M10x25mm	Nature	Nylon
111673	40mm	15mm	M10x38mm	Nature	Nylon
112670	50mm	16mm	1/2"-13x1"	Nature	Nylon
112671	50mm	16mm	1/2"-13x1.5"	Nature	Nylon
112672	50mm	16mm	M12x25mm	Nature	Nylon
112673	50mm	16mm	M12x38mm	Nature	Nylon



Part No.	Base Dia.	Stem thread	Color	Material
111050	1-11/16"	3/8"-16x1-1/4"	Zinc plated	Steel



Part No.	Base Dia.	Stem thread	Color	Material
111060	30mm	1/4"-20x1	Zinc plated	Steel



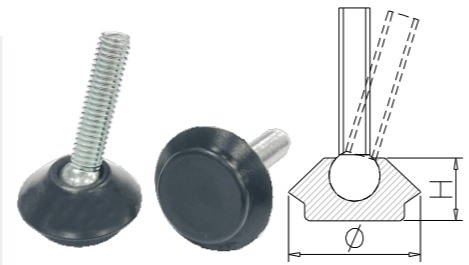
Part No.	Base Dia.	H	Stem thread	Color	Material
115350	32mm	11mm	1/4"-20x1"	Nature	Nylon
115351	32mm	11mm	1/4"-20x1-1/2"	Nature	Nylon
115352	32mm	11mm	M6x25mm	Nature	Nylon
115353	32mm	11mm	M6x38mm	Nature	Nylon



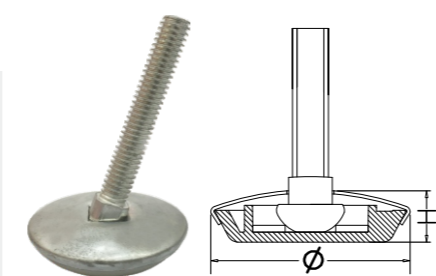
Part No.	Base Dia.	Stem thread	Color	Material
111960	26mm	1/4"	Black	Nylon



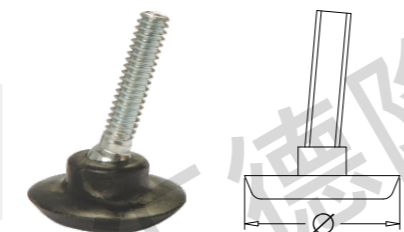
Part No.	Base Dia.	H	Stem thread	Color	Material
115181	23mm	11mm	1/4"-20x1/2"	Nature/Black	Nylon
115182	23mm	11mm	1/4"-20x1"	Nature/Black	Nylon
115183	23mm	11mm	M6x15mm	Nature/Black	Nylon
115184	23mm	11mm	M6x25mm	Nature/Black	Nylon



Part No.	Base Dia.	H	Stem thread	L	Color	Material
111341	1-3/4"	0.413"	1/4"-20	1"/1.5"/2"/2.5"/3"	Zinc plated	Iron/PP
111342	1-3/4"	0.413"	5/16"-18	1"/1.5"/2"/2.5"/3"	Zinc plated	Iron/PP
111343	1-3/4"	0.413"	3/8"-16	1"/1.5"/2"/2.5"/3"	Zinc plated	Iron/PP



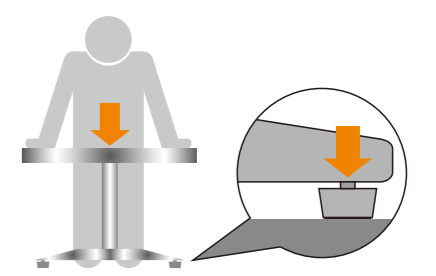
Part No.	Base Dia.	Stem thread	Color	Material
110880	1-1/8"	1/4"-20x1"	Black	Nylon/PP



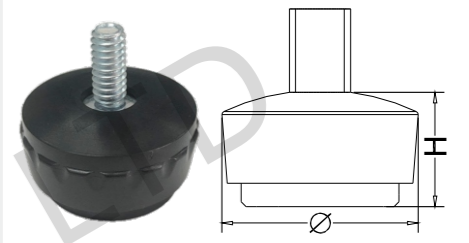
Part No.	Base Dia.	Stem thread	Color	Material
115280	35mm	3/8"-16x2"	Nature	PP
115281	35mm	3/8"-16x2.5"	Nature	PP
115282	35mm	M10x50mm	Nature	PP
115283	35mm	M10x65mm	Nature	PP



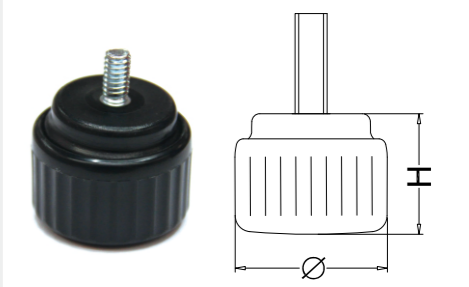
9 Buffer Shock Absorption Leveler 缓冲减震调整脚



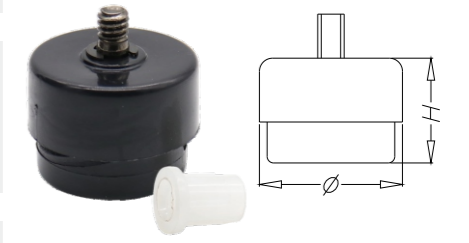
Part No.	Base Dia.	H	Stem thread	Color	Material
111250	32mm	19mm	1/4"-20x1/2"	Black	Nylon
111251	32mm	19mm	5/16"-18x7/8"	Black	Nylon
111252	32mm	19mm	3/8"-16x7/8"	Black	Nylon
111253	32mm	19mm	M6x13mm	Black	Nylon
111254	32mm	19mm	M8x22mm	Black	Nylon
111255	32mm	19mm	M10x22mm	Black	Nylon



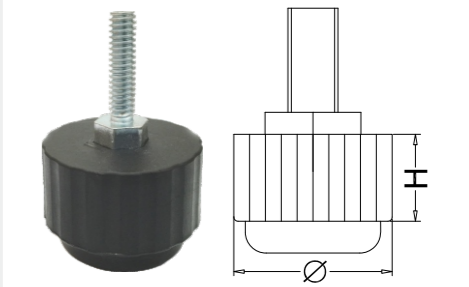
Part No.	Base Dia.	H	Stem thread	Color	Material
111070	38mm	35mm	1/4"-20x1/2"	Black	Nylon
111071	38mm	35mm	5/16"-18x1"	Black	Nylon
111072	38mm	35mm	3/8"-16x1"	Black	Nylon
111073	38mm	35mm	M6x13mm	Black	Nylon
111074	38mm	35mm	M8x25mm	Black	Nylon
111075	38mm	35mm	M10x25mm	Black	Nylon



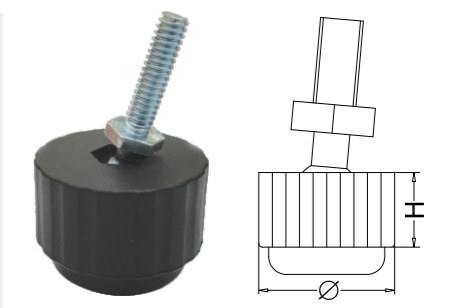
Part No.	Base Dia.	H	Stem thread	Color	Material
110680	32.5mm	23.8mm	1/4"-20x10mm	Black	Nylon



Part No.	Base Dia.	H	Stem thread	Color	Material
111120	38mm	28.5mm	1/4"-20x1/2"	Black	Nylon
111121	38mm	28.5mm	5/16"-18x1"	Black	Nylon
111122	38mm	28.5mm	3/8"-16x1"	Black	Nylon
111123	38mm	28.5mm	M6x13mm	Black	Nylon
111124	38mm	28.5mm	M8x25mm	Black	Nylon
111125	38mm	28.5mm	M10x25mm	Black	Nylon



Part No.	Base Dia.	H	Stem thread	Color	Material
111080	38mm	28.5mm	1/4"-20x1/2"	Black	Nylon
111081	38mm	28.5mm	5/16"-18x1"	Black	Nylon
111082	38mm	28.5mm	3/8"-16x1"	Black	Nylon
111083	38mm	28.5mm	M6x13mm	Black	Nylon
111084	38mm	28.5mm	M8x25mm	Black	Nylon
111085	38mm	28.5mm	M10x25mm	Black	Nylon



■ The screw can be replaced.
此款调整脚可更换螺杆

10 Pintle Glide 立轴脚

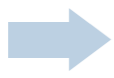
Part No.	Base Dia.	H	Stem thread	Color	Material
110760	1-3/8"	0.7"	5/16"-18x1"	Black/Nature	Nylon/PP
110761	1-3/8"	0.7"	M8x25mm	Black/Nature	Nylon/PP



Part No.	Dia.	Stem thread	H	Colour
HPT-T1110	40mm	7/16"x7/8"	19.5mm	Blue
HPT-T1111	50mm	7/16"x7/8"	19.5mm	Blue

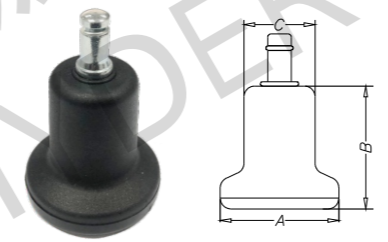


Part No.	Dia.	Stem thread	H	Colour
HPT-T1150	50mm	7/16"x7/8"	38mm	Black
HPT-T1151	50mm	7/16"x7/8"	60mm	Black

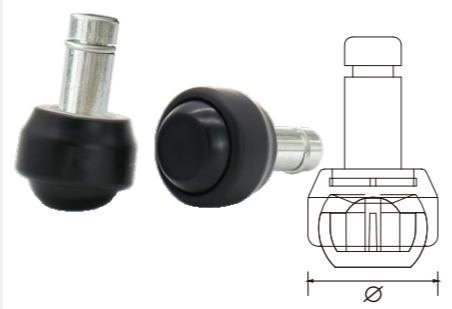


Can replace casters.
可代替脚轮使用

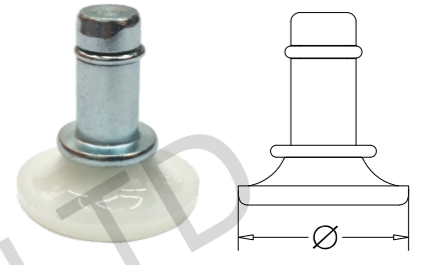
Part No.	Stem	A	B	C
111186	7/16"	55mm	57mm	33mm



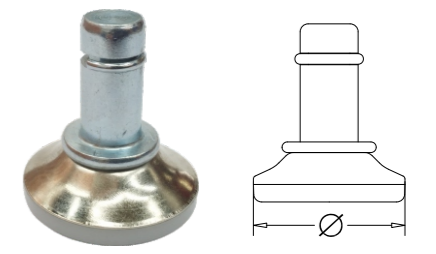
Part No.	Base Dia.	Stem thread	Stem length	Angle	Material
115240	25mm	7/16"	7/8"(22mm)	0-22°	Nylon
115241	25mm	7/16"	1"(25.4mm)	0-22°	Nylon
115242	30mm	7/16"	7/8"(22mm)	0-22°	Nylon
115243	30mm	7/16"	1"(25.4mm)	0-22°	Nylon
115244	35mm	7/16"	7/8"(22mm)	0-22°	Nylon
115245	35mm	7/16"	1"(25.4mm)	0-22°	Nylon



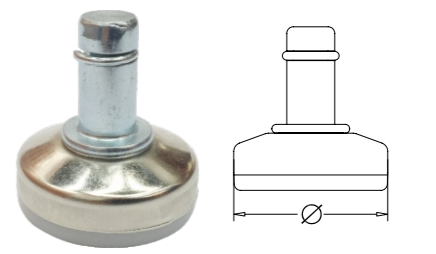
Part No.	Base Dia.	Stem thread	Stem length	Material
111150	25.4mm	7/16"	7/8"(22mm)	Steel/Nylon
111155	25.4mm	7/16"	1"(25.4mm)	Steel/Nylon
111151	28.5mm	7/16"	7/8"(22mm)	Steel/Nylon
111156	28.5mm	7/16"	1"(25.4mm)	Steel/Nylon
111152	32mm	7/16"	7/8"(22mm)	Steel/Nylon
111157	32mm	7/16"	1"(25.4mm)	Steel/Nylon
111153	35mm	7/16"	7/8"(22mm)	Steel/Nylon
111158	35mm	7/16"	1"(25.4mm)	Steel/Nylon
111154	43mm	7/16"	7/8"(22mm)	Steel/Nylon
111159	43mm	7/16"	1"(25.4mm)	Steel/Nylon



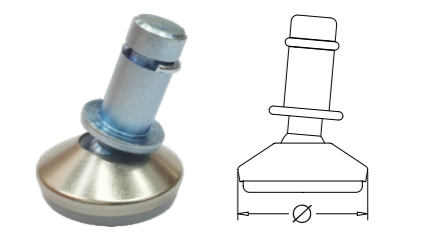
Part No.	Base Dia.	Stem thread	Stem length	Material
111160	28.5mm	7/16"	7/8"(22mm)	Steel/Nylon
111163	28.5mm	7/16"	1"(25.4mm)	Steel/Nylon
111161	32mm	7/16"	7/8"(22mm)	Steel/Nylon
111164	32mm	7/16"	1"(25.4mm)	Steel/Nylon
111162	43mm	7/16"	7/8"(22mm)	Steel/Nylon
111165	43mm	7/16"	1"(25.4mm)	Steel/Nylon



Part No.	Base Dia.	Stem thread	Stem length	Material
111170	25.4mm	7/16"	7/8"(22mm)	Steel/Nylon
111174	25.4mm	7/16"	1"(25.4mm)	Steel/Nylon
111171	35mm	7/16"	7/8"(22mm)	Steel/Nylon
111175	35mm	7/16"	1"(25.4mm)	Steel/Nylon
111172	43mm	7/16"	7/8"(22mm)	Steel/Nylon
111176	43mm	7/16"	1"(25.4mm)	Steel/Nylon
111173	55mm	7/16"	7/8"(22mm)	Steel/Nylon
111177	55mm	7/16"	1"(25.4mm)	Steel/Nylon



Part No.	Base Dia.	Stem thread	Stem length	Material
111180	1-1/4"	7/16"	7/8"(22mm)	Steel/Nylon
111181	1-1/4"	7/16"	1"(25.4mm)	Steel/Nylon



11 Base-Switchable Leveler 可换底调整脚

We integrate five major base styles into one product, our base switchable leveler. Its patent pending now.

The five styles of base:

- 1) Metal Base: For stone/cement floor;
- 2) Teflon Base: For application of slide on carpet/wood floor;
- 3) Felt Base: For wood/ceramic floor;
- 4) Nylon Base: For wood/ceramic/carpet floor;
- 5) Anti-slip Base: For wood/ceramic floor, and easy sliding ground.

The base can be installed on the upper part(threaded stud+plastic cover) in seconds. By this method, we can build/ship leveler rapidly according to customer needs. Also if our customer buys bases and upper parts from us, they can provide customized levelers quickly to the market or provide end user the options they want.

我们的专利产品，可更换底座的调整脚。

这五种底座为：

- (1) 金属底：适配水泥、石材地面；
- (2) 特氟龙底：适配有移动要求的场合，尤其是地毯或者木地板，方便移动；
- (3) 毛毡底：适配木地板，或者光滑的地砖；
- (4) 尼龙底：适合木地板，地砖地面或者地毯；
- (5) 防滑底：适配木地板，光滑的地砖，容易滑动的地面；

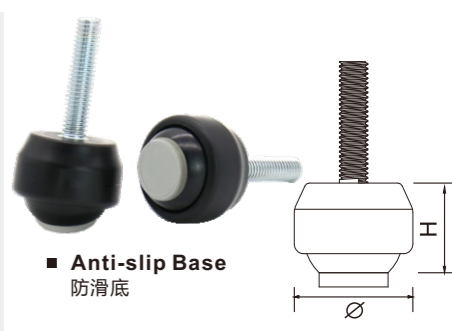
底座可以在几秒钟内装到调整脚的主体上。按照这个方法，我们可以极快地生产或者发运按照客户要求的调整脚；我们的客户购买了这种底座和主体，他们也可以很快地生产特定底座的调整脚，或者让终端客户自己按照自己的需求组装调整脚。

Comfortable Feet—Threaded 舒适脚—螺纹款

Patent Product
专利产品



Part No.	Base Dia.	H	Stem thread	Angle	Color	Material
115260	25mm	18.5mm	M6x25mm	0-22°	Black	Nylon
115261	25mm	18.5mm	M8x25mm	0-22°	Black	Nylon
115262	30mm	22mm	M6x25mm	0-22°	Black	Nylon
115263	30mm	22mm	M8x25mm	0-22°	Black	Nylon
115264	35mm	24.5mm	M6x25mm	0-22°	Black	Nylon
115265	35mm	24.5mm	M8x25mm	0-22°	Black	Nylon



Comfortable Feet—Pintle Glide 舒适脚—立轴款

Patent Product
专利产品



Part No.	Base Dia.	Stem thread	Stem length	Angle	Material
115270	25mm	7/16"	7/8"(22mm)	0-22°	Nylon
115271	25mm	7/16"	1"(25.4mm)	0-22°	Nylon
115272	30mm	7/16"	7/8"(22mm)	0-22°	Nylon
115273	30mm	7/16"	1"(25.4mm)	0-22°	Nylon
115274	35mm	7/16"	7/8"(22mm)	0-22°	Nylon
115275	35mm	7/16"	1"(25.4mm)	0-22°	Nylon



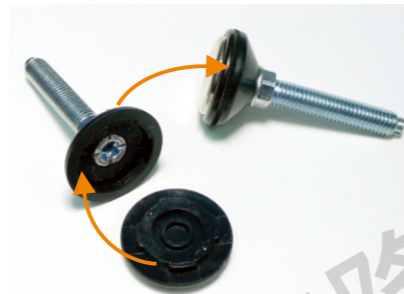
Levelers Series

Levelers Series

• **Normal Base-Switchable Leveler**
常规可换底调整脚

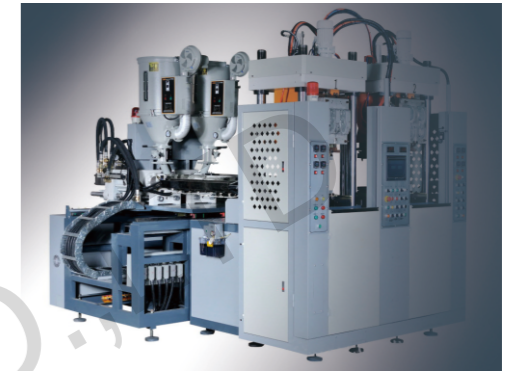
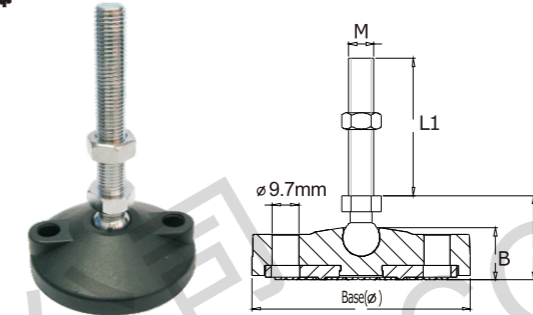


Part No.	Base Dia.	Stem Thread	Angle	Length Of Stem Thread
112500	25mm 35mm	1/4"-20S	-	1"/1.5"
112501		5/16"-18S	-	1"/1.5"/2"
112502		3/8"-16S	-	1"/1.5"/2"
112510		M6	-	25mm/38mm/40mm
112511		M8	-	25mm/38mm/40mm
112512		M10	-	25mm/38mm/40mm
113500		1/4"-20S	0-15°	1"/1.5"
113501		5/16"-18S	0-15°	1"/1.5"/2"
113502		3/8"-16S	0-15°	1"/1.5"/2"
113510		M6	0-15°	25mm/38mm/40mm
113511		M8	0-15°	25mm/38mm/40mm
113512		M10	0-15°	25mm/38mm/40mm



12 Industrial Leveler Series
工业脚系列

• **Swivel Industrial Leveler**
万向工业脚

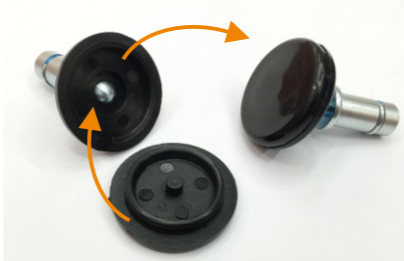


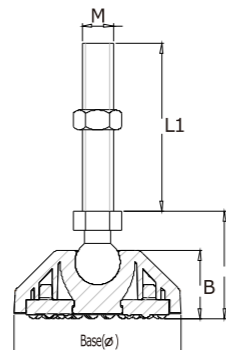
Part No.	Base Dia.	B	M	L	L1	The Max Loading	Material
250070	80mm	19.5mm	5/16"-18(M8)	30mm	1"/1.5"/2"/3"/4" 25mm/38mm/50mm/76mm/100mm	600kg	Carbon steel
250071	80mm	19.5mm	3/8"-16(M10)	31mm	1"/1.5"/2"/3"/4" 25mm/38mm/50mm/76mm/100mm	600kg	Carbon steel
250072	80mm	19.5mm	1/2"-13(M12)	32mm	1"/1.5"/2"/3"/4" 25mm/38mm/50mm/76mm/100mm	600kg	Carbon steel
250073	100mm	24mm	M16	41mm	2"/3"/4" 50mm/76mm/100mm	600kg	Carbon steel
250074	100mm	24mm	M20	41mm	2"/3"/4" 50mm/76mm/100mm	600kg	Carbon steel
250075	123mm	24mm	M20	41mm	2"/3"/4" 50mm/76mm/100mm	600kg	Carbon steel
250076	123mm	24mm	M24	41mm	2"/3"/4" 50mm/76mm/100mm	600kg	Carbon steel

• **Switchable Base And Pintle Glide**
可更换底座/立轴脚



Part No.	Base Dia.	Pintle	Angle	Length Of Stem Thread
111130	25.4mm	7/16"	-	7/8"
111131	35mm	7/16"	-	7/8"
111140	25.4mm	7/16"	0-15°	7/8"
111141	35mm	7/16"	0-15°	7/8"





• **Nylon Turn Industrial Leveler**
尼龙转动工业脚



Part No.	Base Dia.	B	M	L	L1	The Max Loading	Material
250050	50mm	21mm	5/16"-18(M8)	32mm	1"/1.5"/2"/3"/4" 25mm/38mm/50mm/76mm/100mm	400kg	Carbon steel
250051	50mm	21mm	3/8"-16(M10)	33mm	1"/1.5"/2"/3"/4" 25mm/38mm/50mm/76mm/100mm	400kg	Carbon steel
250052	50mm	21mm	1/2"-13(M12)	34mm	1"/1.5"/2"/3"/4" 25mm/38mm/50mm/76mm/100mm	400kg	Carbon steel
250057	60mm	25mm	5/16"-18(M8)	36mm	1"/1.5"/2"/3"/4" 25mm/38mm/50mm/76mm/100mm	400kg	Carbon steel
250058	60mm	25mm	3/8"-16(M10)	37mm	1"/1.5"/2"/3"/4" 25mm/38mm/50mm/76mm/100mm	400kg	Carbon steel
250059	60mm	25mm	1/2"-13(M12)	38mm	1"/1.5"/2"/3"/4" 25mm/38mm/50mm/76mm/100mm	400kg	Carbon steel

Part No.	Base Dia.	B	M	L	L1	The Max Loading	Material
250040	80mm	24mm	M16	41mm	2"/3"/4" 50mm/76mm/100mm	600kg	Carbon steel
250041	80mm	24mm	M20	41mm	2"/3"/4" 50mm/76mm/100mm	600kg	Carbon steel
250043	100mm	24mm	M16	41mm	2"/3"/4" 50mm/76mm/100mm	600kg	Carbon steel
250044	100mm	24mm	M20	41mm	2"/3"/4" 50mm/76mm/100mm	600kg	Carbon steel
250047	123mm	24mm	M20	41mm	2"/3"/4" 50mm/76mm/100mm	600kg	Carbon steel
250048	123mm	24mm	M24	41mm	2"/3"/4" 50mm/76mm/100mm	600kg	Carbon steel



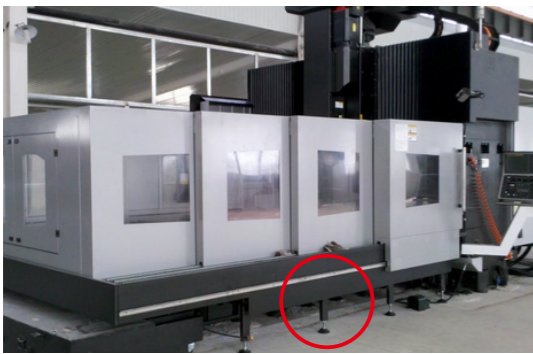
Part No.	Base Dia.	B	M	L	L1	The Max Loading	Material
250080	80mm	24mm	M16	41mm	2"/3"/4" 50mm/76mm/100mm	600kg	Carbon steel
250081	80mm	24mm	M20	41mm	2"/3"/4" 50mm/76mm/100mm	600kg	Carbon steel
250082	100mm	24mm	M16	41mm	2"/3"/4" 50mm/76mm/100mm	600kg	Carbon steel
250083	100mm	24mm	M20	41mm	2"/3"/4" 50mm/76mm/100mm	600kg	Carbon steel
250084	123mm	24mm	M20	41mm	2"/3"/4" 50mm/76mm/100mm	600kg	Carbon steel
250085	123mm	24mm	M24	41mm	2"/3"/4" 50mm/76mm/100mm	600kg	Carbon steel

Part No.	Base Dia.	B	M	L	L1	The Max Loading	Material
250020	50mm	21mm	5/16"-18(M8)	32mm	1"/1.5"/2"/3"/4" 25mm/38mm/50mm/76mm/100mm	400kg	Carbon steel
250021	50mm	21mm	3/8"-16(M10)	33mm	1"/1.5"/2"/3"/4" 25mm/38mm/50mm/76mm/100mm	400kg	Carbon steel
250022	50mm	21mm	1/2"-13(M12)	34mm	1"/1.5"/2"/3"/4" 25mm/38mm/50mm/76mm/100mm	400kg	Carbon steel
250027	60mm	25mm	5/16"-18(M8)	36mm	1"/1.5"/2"/3"/4" 25mm/38mm/50mm/76mm/100mm	400kg	Carbon steel
250028	60mm	25mm	3/8"-16(M10)	37mm	1"/1.5"/2"/3"/4" 25mm/38mm/50mm/76mm/100mm	400kg	Carbon steel
250029	60mm	25mm	1/2"-13(M12)	38mm	1"/1.5"/2"/3"/4" 25mm/38mm/50mm/76mm/100mm	400kg	Carbon steel

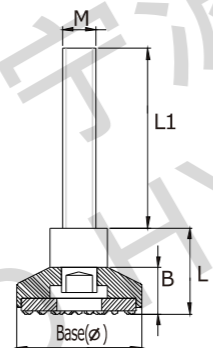
• **Fixed Industrial Leveler**
固定工业脚



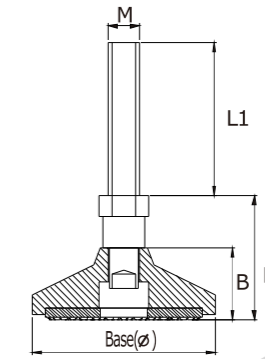
Part No.	Base Dia.	B	M	L	L1	The Max Loading	Material
250110	30mm	19.5mm	3/8"-16(M10)	30mm	1"/1.5"/2"/3"/4" 25mm/38mm/50mm/76mm/100mm	600kg	Carbon steel
250112	50mm	19.5mm	1/2"-13(M12)	31mm	2"/3"/4" 50mm/76mm/100mm	600kg	Carbon steel
250113	80mm	19.5mm	M16	32mm	2"/3"/4" 50mm/76mm/100mm	600kg	Carbon steel



• **Steel Industrial Leveler**
全钢工业调整脚



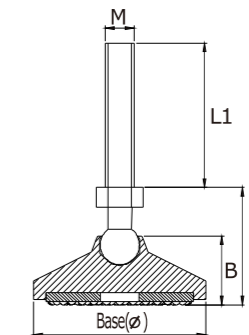
Part No.	Base Dia.	B	M	L	L1	The Max Loading	Material
250030	35mm	13mm	5/16"-18(M8)	24mm	1"/1.5"/2"/3"/4" 25mm/38mm/50mm/76mm/100mm	400kg	Carbon steel
250032	35mm	13mm	3/8"-16(M10)	24mm	1"/1.5"/2"/3"/4" 25mm/38mm/50mm/76mm/100mm	800kg	Carbon steel
250035	35mm	13mm	1/2"-13(M12)	24mm	1"/1.5"/2"/3"/4" 25mm/38mm/50mm/76mm/100mm	800kg	Carbon steel



Part No.	Base Dia.	B	M	L	L1	The Max Loading	Material
250060	60mm	24mm	3/8"-16(M10)	41mm	1"/1.5"/2"/3"/4" 25mm/38mm/50mm/76mm/100mm	800kg	Carbon steel
250062	60mm	24mm	1/2"-13(M12)	41mm	1"/1.5"/2"/3"/4" 25mm/38mm/50mm/76mm/100mm	800kg	Carbon steel



Part No.	Base Dia.	B	M	L	L1	The Max Loading	Material
250100	68mm	29mm	3/8"-16(M10)	41mm	1"/1.5"/2"/3"/4" 25mm/38mm/50mm/76mm/100mm	800kg	Carbon steel
250101	68mm	29mm	1/2"-13(M12)	41mm	1"/1.5"/2"/3"/4" 25mm/38mm/50mm/76mm/100mm	800kg	Carbon steel



Part No.	Base Dia.	B	M	L	L1	The Max Loading	Material
250010	60mm	24mm	5/16"-18(M8)	41mm	1"/1.5"/2"/3"/4" 25mm/38mm/50mm/76mm/100mm	800kg	Carbon steel
250012	60mm	24mm	3/8"-16(M10)	41mm	1"/1.5"/2"/3"/4" 25mm/38mm/50mm/76mm/100mm	800kg	Carbon steel
250014	60mm	24mm	1/2"-13(M12)	41mm	1"/1.5"/2"/3"/4" 25mm/38mm/50mm/76mm/100mm	800kg	Carbon steel